

TAVOLE • TABLES • TAFELN



Veritemati

1020TL170

Vertemati



1020TL170

1020TL010

1020TL130

INDICE TAVOLE

Tavole • Tables • Tafeln GRUPPO TESTA da 4 a 11

Tavole • Tables • Tafeln GRUPPO FRIZIONE da 12 a 15

Tavole • Tables • Tafeln GRUPPO MOTORE da 16 a 23

Tavole • Tables • Tafeln GRUPPO TELAIO da 24 a 29

Tavole • Tables • Tafeln GRUPPO SOSPENSIONI-STERZO da 30 a 35

Tavole • Tables • Tafeln GRUPPO AVVIAMENTO-SCARICO da 36 a 37

Tavole • Tables • Tafeln GRUPPO RAFFREDDAMENTO da 38 a 39

Tavole • Tables • Tafeln GRUPPO CARBURATORE-FRENO da 40 a 41

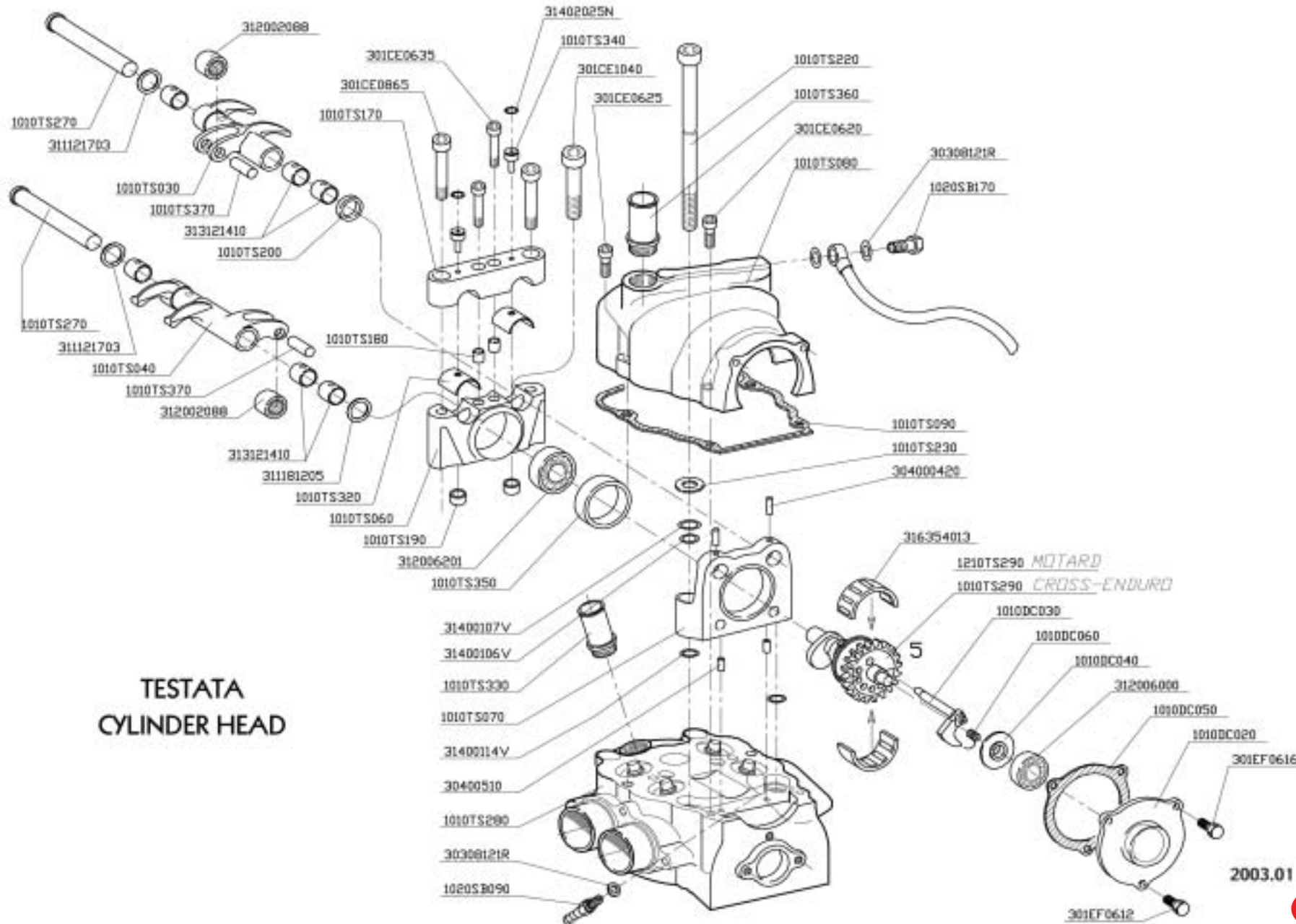
Tavole • Tables • Tafeln GRUPPO RUOTE da 42 a 57

Tavole • Tables • Tafeln GRUPPO PLASTICHE da 58 a 61

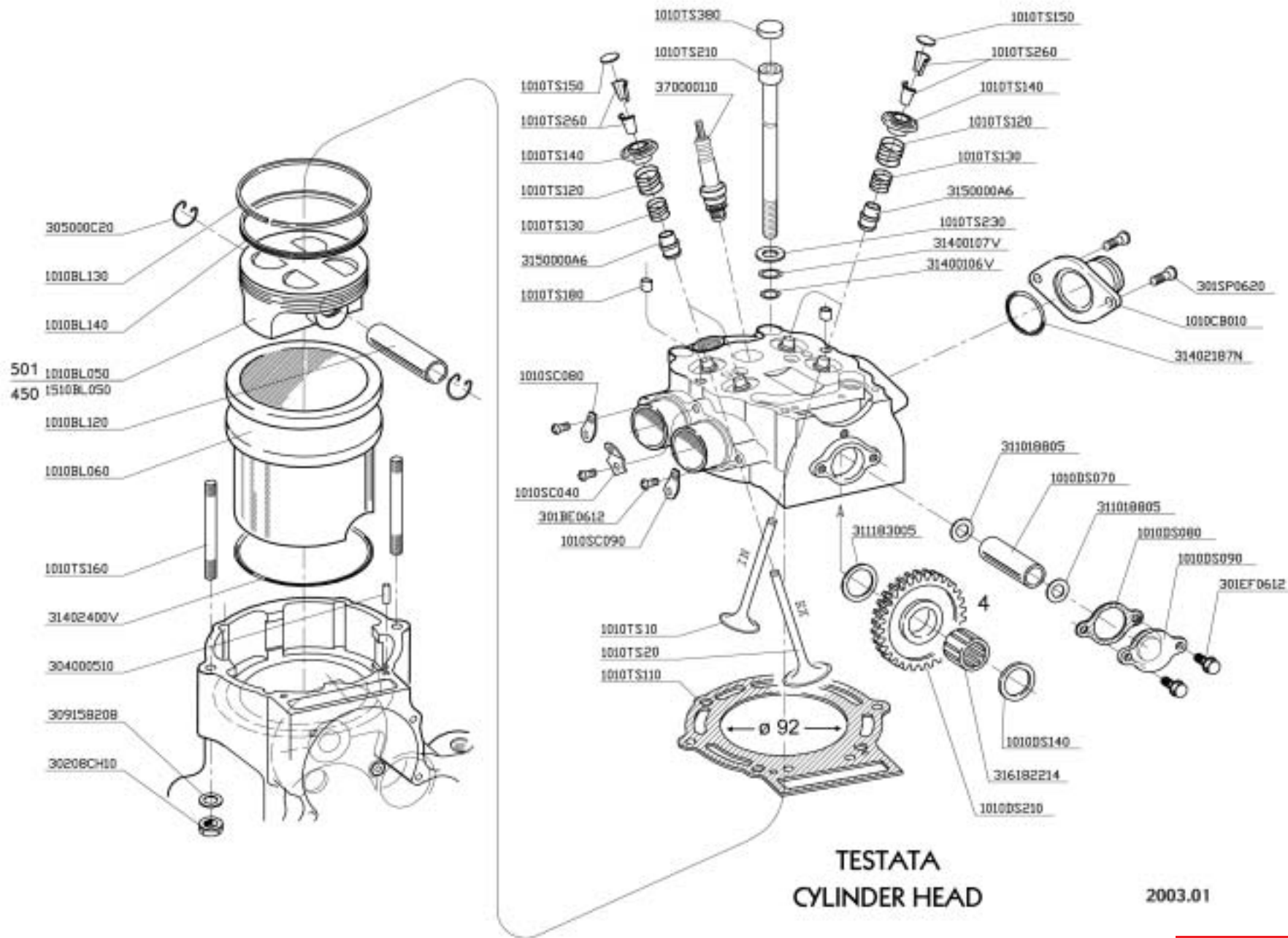
Tavole • Tables • Tafeln GRUPPO SCHEMA ELETTRICO da 62 a 65

Vertemati

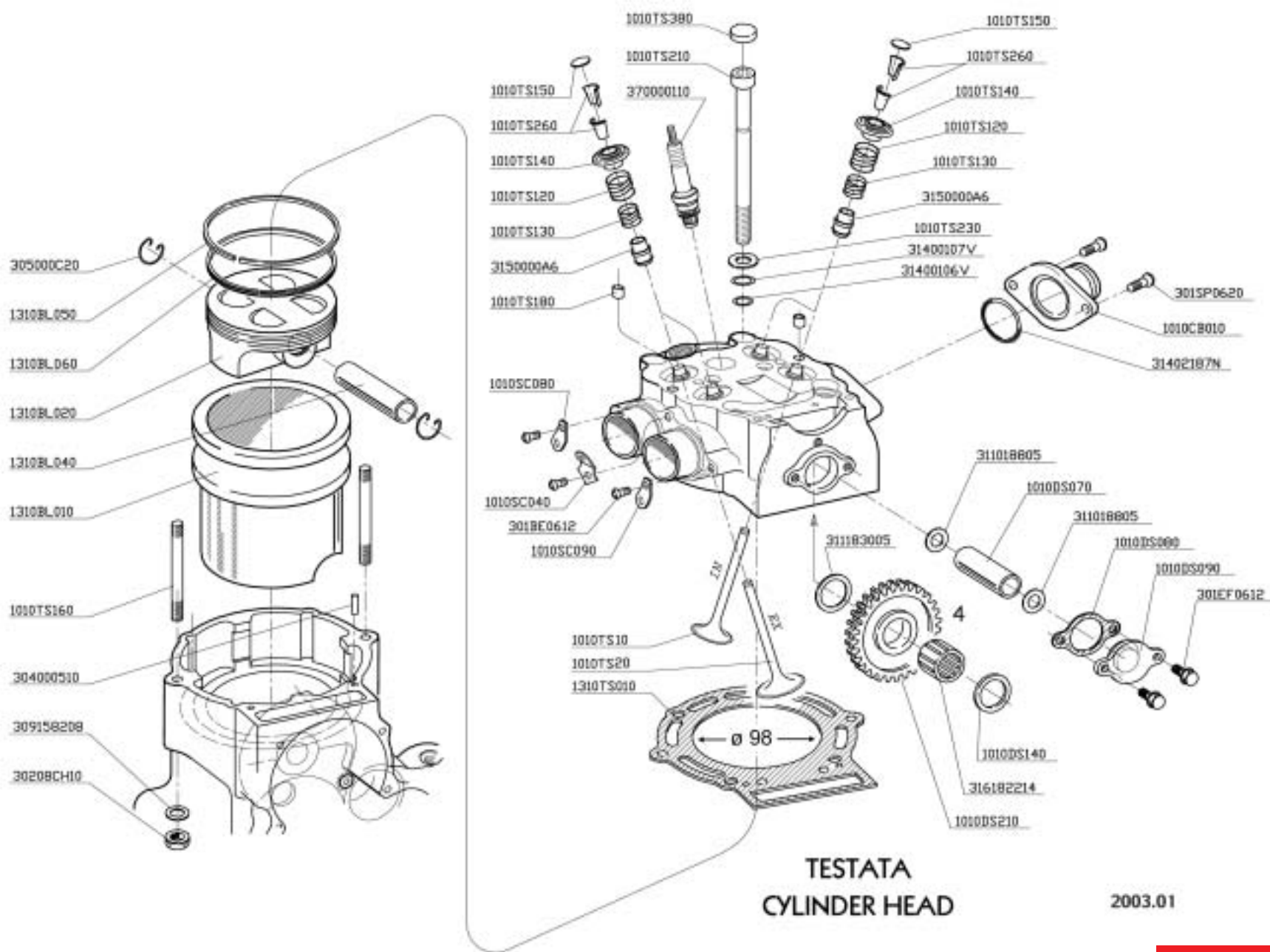
Progr.	Cod.	Quantita	Descrizione	Description	Description	Bezeichnung	Descripción
1	1010DC020	1	COPERCHIO	COVER	CARTER	DECKEL	TAPA
2	1010DC030	1	DECOMPRESSORE	DECOMPRESSOR ARM	POUSSOIR DE SOUPAPE	VENTILHEBER	DESCOMPRESOR
3	1010DC040	1	BRONZINA	BUSHING	DOUILLE	BUCHSE	COJINETE
4	1010DC050	1	GUARNIZIONE	SEALING	ETANCHEITE	DICHTUNG	GUARNICIÓN
5	1010DC060	1	MOLLA	SPRING	RESSORT DE RAPPEL	RUCKHOLFEDER	MUELLE
6	1020SB170	1	RACCORDO	CONNECTION	CONNEXION	ANSCHLUSS	EMPALME
7	1010TS030	1	BILANCIERE ASPIRAZIONE	INTAKE ROCKER ARM	CULBUTEUR D'ADMISSION	EINSAUG-SCHWING-HEBEL	BALANCÍN ASPIRACIÓN
8	1010TS040	1	BILANCIERE SCARICO	EXHAUST ROCKER ARM	CULBUTEUR D'ECHAPPEMENT	AUSLASS SCHWING-HEBEL	BALANCÍN DESCARGA
9	1010TS060	1	CASTELLO	SUPPORT	SEMELLE	HALTERUNG	TORRE
10	1010TS070	1	SUPPORTO	SUPPORT	SEMELLE	HALTERUNG	SOPORTE
11	1010TS080	1	COPERCHIO	COVER	BOITIER	KAPPE	TAPA
12	1010TS170	1	CAPPELLO	CAP	CHAPEAU	HUT	CASQUETE
13	1010TS180	2	BUSSOLA	BUSHING	MANCHON	BUCHSE	MANGUITO
14	1010TS190	2	BUSSOLA	BUSHING	MANCHON	BUCHSE	MANGUITO
15	1010TS200	1	DISTANZIALE	SPACER	ENTRETOISE	DISTANZ	DISTANCIADOR
16	1010TS220	2	VITE LUNGA	SCREW	VIS	SCHRAUBE	TORNILLO LARGO
17	1010TS230	2	RONDELLA	WASHER	RONDELLE	SCHEIBE	ARANDELA
18	1010TS270	2	SPINA	PIN	AXE	ZAPFEN	PERNO
19	1010TS280	1	TESTA	HEAD	CULASSE	ZYLINDERKOPF	CABEZA
20	1010TS290	1	ALBERO A CAMME CROSS-ENDURO	CAMSHAFT	L'ARBRE A CAMES	NOCKENWELLE	ÁRBOL DE LEVAS
21	1210TS290	1	ALBERO A CAMME MOTARD	CAMSHAFT	L'ARBRE A CAMES	NOCKENWELLE	ÁRBOL DE LEVAS
22	1010TS320	2	SEMIBOCCOLA	BUSHING	DOUILLE	BUCHSE	SEMIBUJE
23	1010TS330	1	RACCORDO	CONNECTION	CONNEXION	ANSCHLUSS	EMPALME
24	1010TS340	2	PERNO	PIN	ERGOT	STIFT	PERNO
25	1010TS350	1	ANELLO	BUSHING	DOUILLE	BUCHSE	ANILLO
26	1010TS360	1	RACCORDO	CONNECTION	CONNEXION	ANSCHLUSS	EMPALME
27	1010TS370	2	RULLINO	PIN	ERGOT	STIFT	ESPIGA
28	301CE0620	2	VITE T.C.E.I. M6x20	SCREW	VIS	SCHRAUBE	TORNILLO
29	301CE0625	2	VITE T.C.E.I. M6x25	SCREW	VIS	SCHRAUBE	TORNILLO
30	301CE0635	2	VITE T.C.E.I. M6x35	SCREW	VIS	SCHRAUBE	TORNILLO
31	301CE0865	2	VITE T.C.E.I. M8x65	SCREW	VIS	SCHRAUBE	TORNILLO
32	301CE1040	2	VITE T.C.E.I. M10x40	SCREW	VIS	SCHRAUBE	TORNILLO
33	301EF0612	1	VITE T.E.F. M6x12	SCREW	VIS	SCHRAUBE	TORNILLO
34	301EF0616	2	VITE T.E.F. M6x12	SCREW	VIS	SCHRAUBE	TORNILLO
35	30308121R	3	RONDELLA 8x12	WASHER	RONDELLE	SCHEIBE	ARANDELA
36	304000420	2	RULLINO 4x20	PIN	ERGOT	STIFT	ESPIGA
37	304000510	2	SPINA 5x10	PIN	AXE	ZAPFEN	PERNO
38	311121703	2	RONDELLA 12x17x0.3	WASHER	RONDELLE	SCHEIBE	ARANDELA
39	311181205	1	RONDELLA 18x12xX0.5	WASHER	RONDELLE	SCHEIBE	ARANDELA
40	312006201	1	CUSCINETTO	BEARING	ROULEMENT	LAGER	COJINETE
41	312002088	2	RULLO	PIN	ERGOT	STIFT	TAMBOR
42	312006000	1	CUSCINETTO	BEARING	ROULEMENT	LAGER	COJINETE
43	313121410	6	BUSSOLA	BUSHING	DOUILLE	BUCHSE	MANGUITO
44	31400106V	2	ANELLO OR 106	O-RING	JOINT TORIQUE	O-RING	ANILLO OR
45	31400107V	2	ANELLO OR 107	O-RING	JOINT TORIQUE	O-RING	ANILLO OR
46	31400114V	2	ANELLO OR 114	O-RING	JOINT TORIQUE	O-RING	ANILLO OR
47	316354013	2	GABBIA RULLI	NEEDLE BEARING	ROULEMENT	NADELLAGER	JAULA TAMBORES
48	31402025N	2	ANELLO OR	O-RING	JOINT TORIQUE	O-RING	ANILLO OR



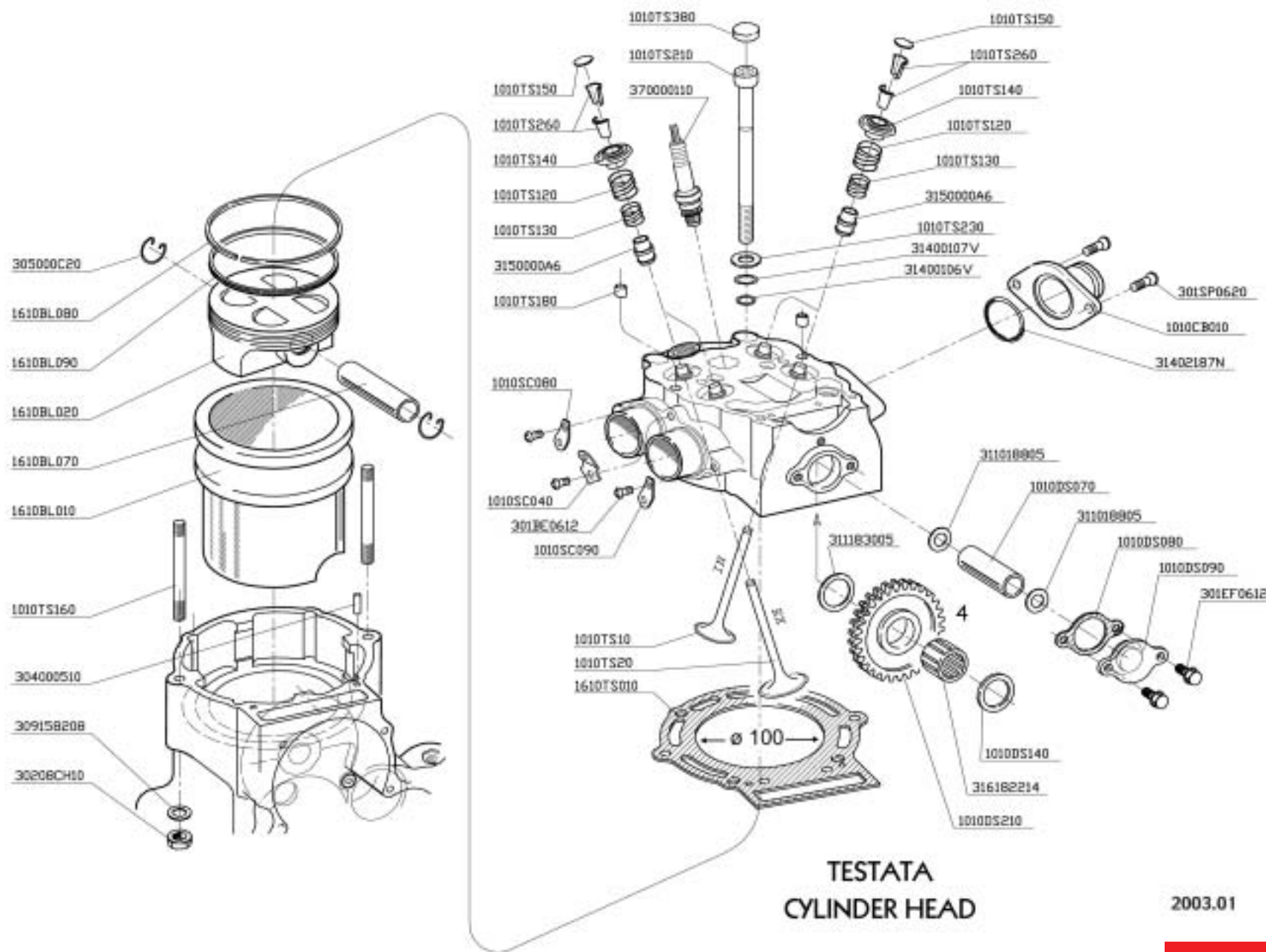
Progr.	Cod.	Quantita	Descrizione	Description	Description	Bezeichnung	Descripción
1	1010BL050	1	PISTONE	PISTON	PISTON	KOLBEN	PISTÓN
2	1010BL060	1	CANNA CILINDRO	CYLINDER LINING	ENVELOPPE CYLINDRE	ZYLINDERLAUF-BUCHSE	CAMISA DEL CILINDRO
3	1010BL120	1	SPINOTTO	PISTON PIN	ERGOT	STIFT	PERNITO
4	1010BL130	1	FASCIA ELASTICA	PISTON RING	BAGUE DE PISTON	KOLBENRING	ARO DEL PISTÓN
5	1010BL140	1	RASCHIAOLIO	OIL RING	SEGMENT RACLEUR D'HUILE	OLABSTREIFRING	ANILLO RASPADOR DEL ACEITE
6	1010CB010	1	COLLETTORE	INLET PIPE	TUYAU D'ADMISION	EINSAUGROHR	COLECTOR
7	1010DS070	1	PERNO	PIN	ERGOT	STIFT	PERNO
8	1010DS080	1	GUARNIZIONE	SEALING	ETANCHEITE	DICHTUNG	GUARNICIÓN
9	1010DS090	1	COPERCHIO	COVER	BOITIER	KAPPE	TAPA
10	1010DS140	1	RONDELLA	WASHER	RONDELLE	SCHEIBE	ARANDELA
11	1010DS210	1	4° INGRANAGGIO	4TH GEAR	4° PIGNON	4° ZAHNRAD	4° ENGRANAJE
12	1010SC040	1	GANCIO CENTRALE	ATTACHMENT	FIXATION	BEFESTIGUNG	GANCHO CENTRAL
13	1010SC080	1	GANCIO SX	LEFT ATTACHMENT	FIXATION GAUCHE	BEFESTIGUNG LINKS	GANCHO IZQUIERDO
14	1010SC090	1	GANCIO DX	RIGHT ATTACHMENT	FIXATION BROIT	BEFESTIGUNG REC.	GANCHO DERECHO
15	1010TS010	2	VALVOLA ASPIRAZIONE	INTAKE VALVE	CULBUTEUR ADMISSION	VENTILAUSSLASS	VÁLVULA ASPIRACIÓN
16	1010TS020	2	VALVOLA SCARICO	EXHAUST VALVE	CULBUTEUR ECHAPPEMENT	VENTILAUSSLASS	VÁLVULA DESCARGA
17	1010TS110	1	GUARNIZIONE TESTA	HEAD GASKET	ETANCHEITE	DICHTUNG	GUARNICIÓN CABEZA
18	1010TS120	4	MOLLA	SPRING	RESSORT DE RAPPEL	RUCKHOLFEDER	MUELLE
19	1010TS130	4	MOLLA	SPRING	RESSORT DE RAPPEL	RUCKHOLFEDER	MUELLE
20	1010TS140	4	PIATTELLO	PRESSURE SLEEVE	DOUILLE	DRUCKHULSE	PLATILLO
21	1010TS150	4	PASTIGLIA	VALVE SHIM	PLAQUETTE	PLATTCHEN	PASTILLA
22	1010TS160	2	PRIGIONIERO	CYLINDERSTUD	GOUJON DE CYLINDRE	ZYLINDERBOLZEN	TORNILLO PRISIONERO
23	1010TS180	2	BOCCOLA	BUSHING	MANCHON	BUCHSE	BUJE
24	1010TS210	1	VITE CORTA	SCREW	VIS	SCHRAUBE	TORNILLO CORTO
25	1010TS230	2	RONDELLA	WASHER	RONDELLE	SCHEIBE	ARANDELA
26	1010TS260	8	SEMICONO	VALVE COTTERS	GOUPILLE A SOUPAPE	VENTILSTIFT	SEMICONO
27	1010TS380	2	CAPPUCCIO	COVER	BOITIER	KAPPE	CAPUCHÓN
28	301BE0612	3	VITE T.B.E.I. M6x12	SCREW	VIS	SCHRAUBE	TORNILLO
29	301EF0612	2	VITE T.E.F. M6x12	SCREW	VIS	SCHRAUBE	TORNILLO
30	301SP0620	2	VITE T.S.P.E.I. M6x20	SCREW	VIS	SCHRAUBE	TORNILLO
31	30208CH10	2	DADO M8	NUT	ECROU	MUTTER	TUERCA
32	304000510	2	SPINA 5x10	PIN	AXE	ZAPFEN	PERNO
33	305000C20	2	SEEGER	CIRCLIP	CIRCLIP	FEDERRING	ANILLO DE RETENCIÓN
34	309158208	2	RONDELLA	WASHER	RONDELLE	SCHEIBE	ARANDELA
35	311018805	2	RASAMENTO	SPACER	ENTRETOISE	DISTANZ	LAMINILLA DE AJUSTE
36	311183005	1	RASAMENTO	SPACER	ENTRETOISE	DISTANZ	LAMINILLA DE AJUSTE
37	31400106V	2	ANELLO OR 106	O-RING	JOINT TORIQUE	O-RING	ANILLO OR
38	31400107V	2	ANELLO OR 107	O-RING	JOINT TORIQUE	O-RING	ANILLO OR
39	31402187N	1	ANELLO OR 2187	O-RING	JOINT TORIQUE	O-RING	ANILLO OR
40	31402400V	1	ANELLO OR 2400	O-RING	JOINT TORIQUE	O-RING	ANILLO OR
41	3150000A6	4	GUARNIZIONE	SEALING	ETANCHEITE	DICHTUNG	GUARNICIÓN
42	316182214	1	GABBIA RULLI	NEEDLE BEARING	ROULEMENT	NADELLAGER	JALIA TAMBORES
43	370000110	1	CANDELA	SPARK PLUG	BOUGIE	ZUNDKERZE	BUJÍA



Progr.	Cod.	Quantita	Descrizione	Description	Description	Bezeichnung	Descripción
1	1010BL060	1	CANNA CILINDRO	CYLINDER LINING	ENVELOPPE CYLINDRE	ZYLINDERLAUF-BUCHSE	CAMISA DEL CILINDRO
2	1010CB010	1	COLLETTORE	INLET PIPE	TUYAU D'ADMISSION	EINSAUGROHR	COLECTOR
3	1010DS070	1	PERNO	PIN	ERGOT	STIFT	PERNO
4	1010DS080	1	GUARNIZIONE	SEALING	ETANCHEITE	DICHTUNG	GUARNICIÓN
5	1010DS090	1	COPERCHIO	COVER	BOITIER	KAPPE	TAPA
6	1010DS140	1	RONDELLA	WASHER	RONDELLE	SCHEIBE	ARANDELA
7	1010DS210	1	4° INGRANAGGIO	4TH GEAR	4° PIGNON	4 ZAHNRAD	4° ENGRANAJE
8	1010SC040	1	GANCIO CENTRALE	ATTACHMENT	FIXATION	BEFESTIGUNG	GANCHO CENTRAL
9	1010SC080	1	GANCIO SX	LEFT ATTACHMENT	FIXATION GAUCHE	BEFESTIGUNG LINKS	GANCHO IZQUIERDO
10	1010SC090	1	GANCIO DX	RIGHT ATTACHMENT	FIXATION DROITE	BEFESTIGUNG REC.	GANCHO DERECHO
11	1010TS010	2	VALVOLA ASPIRAZIONE	INTAKE VALVE	CULBUTEUR ADMISSION	VENTILAUSSLASS	VÁLVULA ASPIRACIÓN
12	1010TS020	2	VALVOLA SCARICO	EXHAUST VALVE	CULBUTEUR ECHAPPEMENT	VENTILAUSSLASS	VÁLVULA DESCARGA
13	1010TS120	4	MOLLA	SPRING	RESSORT DE RAPPEL	RUCKHOLFEDER	MUELLE
14	1010TS130	4	MOLLA	SPRING	RESSORT DE RAPPEL	RUCKHOLFEDER	MUELLE
15	1010TS140	4	PIATTELLO	PRESSURE SLEEVE	DOUILLE	DRUCKHULSE	PLATILLO
16	1010TS150	4	PASTIGLIA	VALVE SHIM	PLAQUETTE	PLATTCHEN	PASTILLA
17	1010TS160	2	PRIGIONIERO	CYLINDERSTUD	GOUJON DE CYLINDRE	ZYLINDERBOLZEN	TORNILLO PRISIONERO
18	1010TS180	2	BOCCOLA	BUSHING	MANCHON	BUCHSE	BUJE
19	1010TS210	1	VITE CORTA	SCREW	VIS	SCHRAUBE	TORNILLO CORTO
20	1010TS230	2	RONDELLA	WASHER	RONDELLE	SCHEIBE	ARANDELA
21	1010TS260	8	SEMICONO	VALVE COTTERS	GOUPILLE A SOUPAGE	VENTILSTIFT	SEMICONO
22	1010TS380	2	CAPPUCCIO	COVER	BOITIER	KAPPE	CAPUCHÓN
23	1310BL020	1	PISTONE	PISTON	PISTON	KOLBEN	PISTÓN
24	1310BL040	1	SPINOTTO	PISTON PIN	ERGOT	STIFT	PERNITO
25	1310BL050	1	FASCIA ELASTICA	PISTON RING	BAGUE DE PISTON	KOLBENRING	ARO DEL PISTÓN
26	1310BL060	1	RASCHIAOLIO	OIL RING	SEGMENT RACLEUR D'HUILE	OLABSTREIFRING	ANILLO RASPADOR DEL ACEITE
27	1310TS010	1	GUARNIZIONE TESTA	HEAD GASKET	ETANCHEITE	DICHTUNG	GUARNICIÓN CABEZA
28	301BE0612	3	VITE T.B.E.I. M6x12	SCREW	VIS	SCHRAUBE	TORNILLO
29	301EF0612	2	VITE T.E.F. M6x12	SCREW	VIS	SCHRAUBE	TORNILLO
30	301SP0620	2	VITE T.S.P.E.I. M6x20	SCREW	VIS	SCHRAUBE	TORNILLO
31	30208CH10	2	DADO M8	NUT	ECROU	MUTTER	TUERCA
32	304000510	2	SPINA 5x10	PIN	AXE	ZAPFEN	PERNO
33	305000C20	2	SEEGER	CIRCLIP	CIRCLIP	FEDERRING	ANILLO DE RETENCIÓN
34	309158208	2	RONDELLA	WASHER	RONDELLE	SCHEIBE	ARANDELA
35	311018805	2	RASAMENTO	SPACER	ENTRETOISE	DISTANZ	LAMINILLA DE AJUSTE
36	311183005	1	RASAMENTO	SPACER	ENTRETOISE	DISTANZ	LAMINILLA DE AJUSTE
37	31400106V	2	ANELLO OR 106	O-RING	JOINT TORIQUE	O-RING	ANILLO OR
38	31400107V	2	ANELLO OR 107	O-RING	JOINT TORIQUE	O-RING	ANILLO OR
39	31402187N	1	ANELLO OR 2187	O-RING	JOINT TORIQUE	O-RING	ANILLO OR
40	3150000A6	4	GUARNIZIONE	SEALING	ETANCHEITE	DICHTUNG	GUARNICIÓN
41	316182214	1	GABBIA RULLI	NEEDLE BEARING	ROULEMENT	NADELLAGER	JAULA TAMBORES
42	370000110	1	CANDELA	SPARK PLUG	BOUGIE	ZUNDKERZE	BUJIA



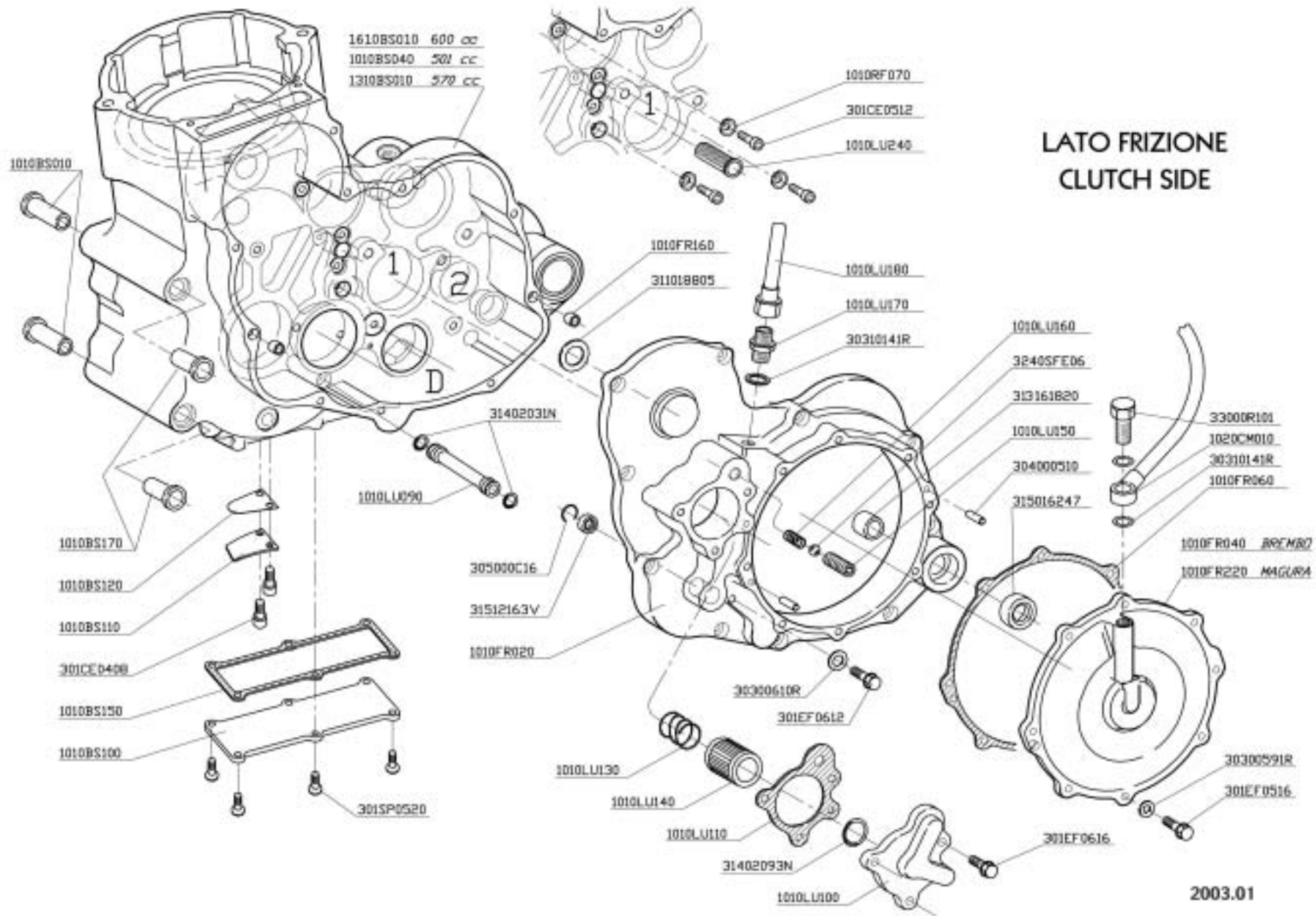
Progr.	Cod.	Quantita	Descrizione	Description	Description	Bezeichnung	Descripción
1	1010CB010	1	COLLETTORE	INLET PIPE	TUYAU D'ADMISSION	EINSAUGROHR	COLECTOR
2	1010DS070	1	PERNO	PIN	ERGOT	STIFT	PERNO
3	1010DS080	1	GUARNIZIONE	SEALING	ETANCHEITE	DICHTUNG	GUARNICIÓN
4	1010DS090	1	COPERCHIO	COVER	BOITIER	KAPPE	TAPA
5	1010DS140	1	RONDELLA	WASHER	RONDELLE	SCHEIBE	ARANDELA
6	1010DS210	1	4° INGRANAGGIO	4TH GEAR	4° PIGNON	4 ZAHNRAD	4° ENGRANAJE
7	1010SC040	1	GANCIO CENTRALE	ATTACHMENT	FIXATION	BEFESTIGUNG	GANCHO CENTRAL
8	1010SC080	1	GANCIO SX	LEFT ATTACHMENT	FIXATION GAUCHE	BEFESTIGUNG LINKS	GANCHO IZQUIERDO
9	1010SC090	1	GANCIO DX	RIGHT ATTACHMENT	FIXATION BROIT	BEFESTIGUNG REC.	GANCHO DERECHO
10	1010TS010	2	VALVOLA ASPIRAZIONE	INTAKE VALVE	CULBUTEUR ADMISSION	VENTILAUSSLASS	VÁLVULA ASPIRACIÓN
11	1010TS020	2	VALVOLA SCARICO	EXHAUST VALVE	CULBUTEUR ECHAPPEMENT	VENTILAUSSLASS	VÁLVULA DESCARGA
12	1010TS120	4	MOLLA	SPRING	RESSORT DE RAPPEL	RUCKHOLFEDER	MUELLE
13	1010TS130	4	MOLLA	SPRING	RESSORT DE RAPPEL	RUCKHOLFEDER	MUELLE
14	1010TS140	4	PIATTELLO	PRESSURE SLEEVE	DOUILLE	DRUCKHULSE	PLATILLO
15	1010TS150	4	PASTIGLIA	VALVE SHIM	PLAQUETTE	PLATTCHEN	PASTILLA
16	1010TS160	2	PRIGIONIERO	CYLINDERSTUD	GOUJON DE CYLINDRE	ZYLINDERBOLZEN	TORNILLO PRISIONERO
17	1010TS180	2	BOCCOLA	BUSHING	MANCHON	BUJSE	BUJE
18	1010TS210	1	VITE CORTA	SCREW	VIS	SCHRAUBE	TORNILLO CORTO
19	1010TS230	2	RONDELLA	WASHER	RONDELLE	SCHEIBE	ARANDELA
20	1010TS260	8	SEMICONO	VALVE COTTERS	GOUPILLE A SOUPAGE	VENTILSTIFT	SEMICONO
21	1010TS380	2	CAPPUCCIO	COVER	BOITIER	KAPPE	CAPUCHÓN
22	1610BL010	1	CANNA CILINDRO	CYLINDER LINING	ENVELOPPE CYLINDRE	ZYLINDERLAUF-BUCHSE	CAMISA DEL CILINDRO
23	1610BL020	1	PISTONE	PISTON	PISTON	KOLBEN	PISTÓN
24	1610BL070	1	SPINOTTO	PISTON PIN	ERGOT	STIFT	PERNITO
25	1610BL080	1	FASCIA ELASTICA	PISTON RING	BAGUE DE PISTON	KOLBENRING	ARO DEL PISTÓN
26	1610BL090	1	RASCHIAOLIO	OIL RING	SEGMENT RACLEUR D'HUILE	OLABSTREIFRING	ANILLO RASPADOR DEL ACEITE
27	1610TS010	1	GUARNIZIONE TESTA	HEAD GASKET	ETANCHEITE	DICHTUNG	GUARNICIÓN CABEZA
28	301BE0612	3	VITE T.B.E.I. M6x12	SCREW	VIS	SCHRAUBE	TORNILLO
29	301EF0612	2	VITE T.E.F. M6x12	SCREW	VIS	SCHRAUBE	TORNILLO
30	301SP0620	2	VITE T.S.P.E.I. M6x20	SCREW	VIS	SCHRAUBE	TORNILLO
31	30208CH10	2	DADO M8	NUT	ECROU	MUTTER	TUERCA
32	304000510	2	SPINA 5x10	PIN	AXE	ZAPFEN	PERNO
33	305000C20	2	SEEGER	CIRCLIP	CIRCLIP	FEDERRING	ANILLO DE RETENCIÓN
34	309158208	2	RONDELLA	WASHER	RONDELLE	SCHEIBE	ARANDELA
35	311018805	2	RASAMENTO	SPACER	ENTRETOISE	DISTANZ	LAMINILLA DE AJUSTE
36	311183005	1	RASAMENTO	SPACER	ENTRETOISE	DISTANZ	LAMINILLA DE AJUSTE
37	31400106V	2	ANELLO OR 106	O-RING	JOINT TORIQUE	O-RING	ANILLO OR
38	31400107V	2	ANELLO OR 107	O-RING	JOINT TORIQUE	O-RING	ANILLO OR
39	31402187N	1	ANELLO OR 2187	O-RING	JOINT TORIQUE	O-RING	ANILLO OR
40	3150000A6	4	GUARNIZIONE	SEALING	ETANCHEITE	DICHTUNG	GUARNICIÓN
41	316182214	1	GABBIA RULLI	NEEDLE BEARING	ROULEMENT	NADELLAGER	JAULA TAMBORES
42	370000110	1	CANDELA	SPARK PLUG	BOUGIE	ZUNDKERZE	BUJIA



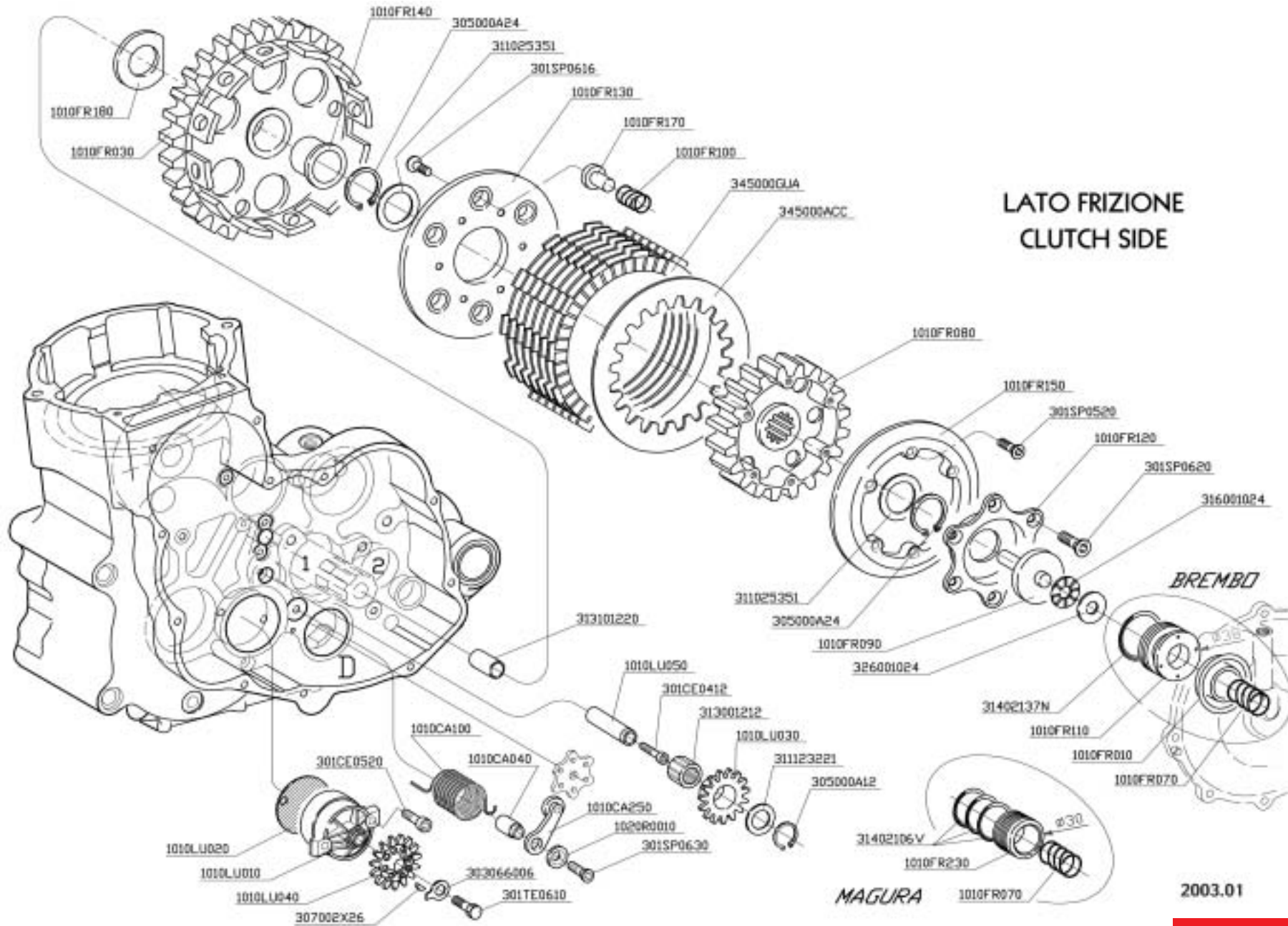
2003.01

2.02

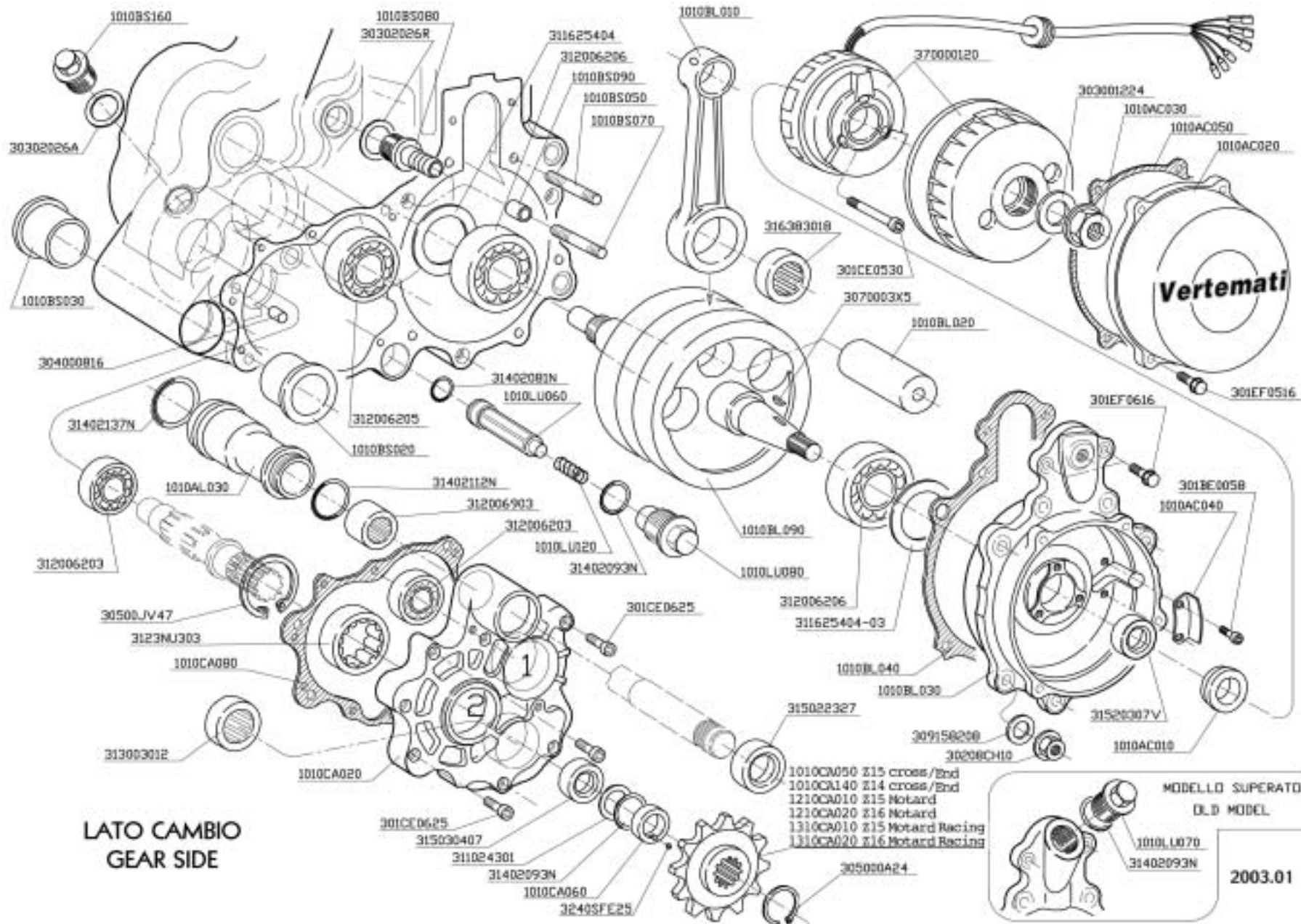
Progr.	Cod.	Quantita	Descrizione	Description	Description	Bezeichnung	Descripción
1	1010BS010	2	BUSSOLA	BUSHING	DOUILLE	BUCHSE	MANGUITO
2	1010BS040	1	MONOBLOCCO 501cc	CRANKCASE	CARTER	KURBELGEHAUSE	MONOBLOQUE
3	1010BS100	1	COPERCHIO	COVER	BOITIER	DECKEL	TAPA
4	1010BS110	1	STOPPER LAMELLA	RATAINER PLATE	ARRET PLAQUETTE	VENTISTUTZE SCHRAUBE	LÁMINA DE PARADA
5	1010BS120	2	LAMELLA DI TENUTA	VALVE REED	PLATEAU DE SOUPAGE	VENTILPLATTCHEN	LÁMINA DE CIERRE
6	1010BS150	1	GUARNIZIONE	SEALING	ETANCHEITE	DICHTUNG	GUARNICIÓN
7	1010BS170	2	BUSSOLA	BUSHING	DOUILLE	BUCHSE	MANGUITO
8	1010FR020	1	COPERCHIO Ø38	COVER	CARTER	DECKEL	TAPA
9	1010FR040	1	COPERCHIO	COVER	BOITIER	KAPPE	TAPA
10	1010FR060	1	GUARNIZIONE	SEALING	ETANCHEITE	DICHTUNG	GUARNICIÓN
11	1010FR160	2	BUSSOLA	BUSHING	DOUILLE	BUCHSE	MANGUITO
12	1010FR220	1	COPERCHIO Ø30	COVER	CARTER	DECKEL	TAPA
13	1010LU090	1	RACCORDO	CONNECTION	CONNEXION	ANSCHLUSS	EMPALME
14	1010LU100	1	COPERCHIO	COVER	BOITIER	DECKEL	TAPA
15	1010LU110	1	GUARNIZIONE	SEALING	ETANCHEITE	DICHTUNG	GUARNICIÓN
16	1010LU130	1	MOLLA	SPRING	RESSORT DE RAPPEL	RUCKHOLFEDER	MUELLE
17	1010LU140	1	FILTRO OLIO	OIL FILTER	FILTRE A HUILE	OLFILTER	FILTRO ACEITE
18	1010LU150	1	GRANO	SCREW	VIS SANS TETE	GEWINDESTIFTE	GRANO
19	1010LU160	1	MOLLA	SPRING	RESSORT DE RAPPEL	RUCKHOLFEDER	MUELLE
20	1010LU170	1	NIPPLES	NIPPLE	NIPPLE	NIPPLE	NIPPLE
21	1010LU180	1	TUBO OLIO	OIL PIPE	TUYAU DE L'HUILE	OLROHR	TUBO ACEITE
22	1010LU240	1	FILTRO	FILTER	FILTRE	FILTER	FILTRO
23	1010RF070	3	DISTANZIALE	SPACER	ENTRETOISE	DISTANZ	DISTANCIADOR
24	1020CM010	1	TUBO FRIZIONE	CLUTCH PIPE	TUYAU DE L'HUILE	OLROHR	TUBO EMBRAGUE
25	1310BS010	1	MONOBLOCCO 570cc	CRANKCASE	CARTER	KURBELGEHAUSE	MONOBLOQUE
26	301CE0408	2	VITE T.C.E.I. M4x8	SCREW	VIS	SCHRAUBE	TORNILLO
27	301CE0512	3	VITE T.C.E.I. M5x12	SCREW	VIS	SCHRAUBE	TORNILLO
28	301EF0516	8	VITE T.E.F. M5x16	SCREW	VIS	SCHRAUBE	TORNILLO
29	301EF0612	1	VITE T.E.F. M6x12	SCREW	VIS	SCHRAUBE	TORNILLO
30	301EF0616	3	VITE T.E.F. M6x16	SCREW	VIS	SCHRAUBE	TORNILLO
31	301SP0520	6	VITE T.S.P.E.I. M5x20	SCREW	VIS	SCHRAUBE	TORNILLO
32	30310141R	3	RONDELLA	WASHER	RONDELLE	SCHEIBE	ARANDELA
33	30300591R	8	RONDELLA	WASHER	RONDELLE	SCHEIBE	ARANDELA
34	30300610R	1	RONDELLA	WASHER	RONDELLE	SCHEIBE	ARANDELA
35	305000C16	1	SEEGER	CIRCLIP	CIRCLIP	FEDERRING	ANILLO DE RETENCIÓN
36	304000510	2	SPINA 5x10	PIN	ERGOT	STIFT	PERNO
37	311018805	1	RASAMENTO	SPACER	ENTRETOISE	DISTANZ	LAMINILLA DE AJUSTE
38	31402031N	2	ANELLO OR 2031	O-RING	JOINT TORIQUE	O-RING	ANILLO OR
39	31402093N	1	ANELLO OR 2093	O-RING	JOINT TORIQUE	O-RING	ANILLO OR
40	315016247	1	GUARNIZIONE	SEALING	ETANCHEITE	DICHTUNG	GUARNICIÓN
41	31512163V	1	GUARNIZIONE	SEALING	ETANCHEITE	DICHTUNG	GUARNICIÓN
42	313161825	1	BRONZINA	BUSHING	DOUILLE	BUCHSE	COJNETE
43	305000C16	1	SEEGER	CIRCLIP	CIRCLIP	FEDERRING	ANILLO DE RETENCIÓN
44	3240SFE06	1	SFERA	BALL	BILLE	KUGEL	ESFERA
45	33000R101	1	RACCORDO	CONNECTION	CONNEXION	ANSCHLUSS	EMPALME
46	1610BS010	1	MONOBLOCCO 600cc	CRANKCASE	CARTER	KURBELGEHAUSE	MONOBLOQUE



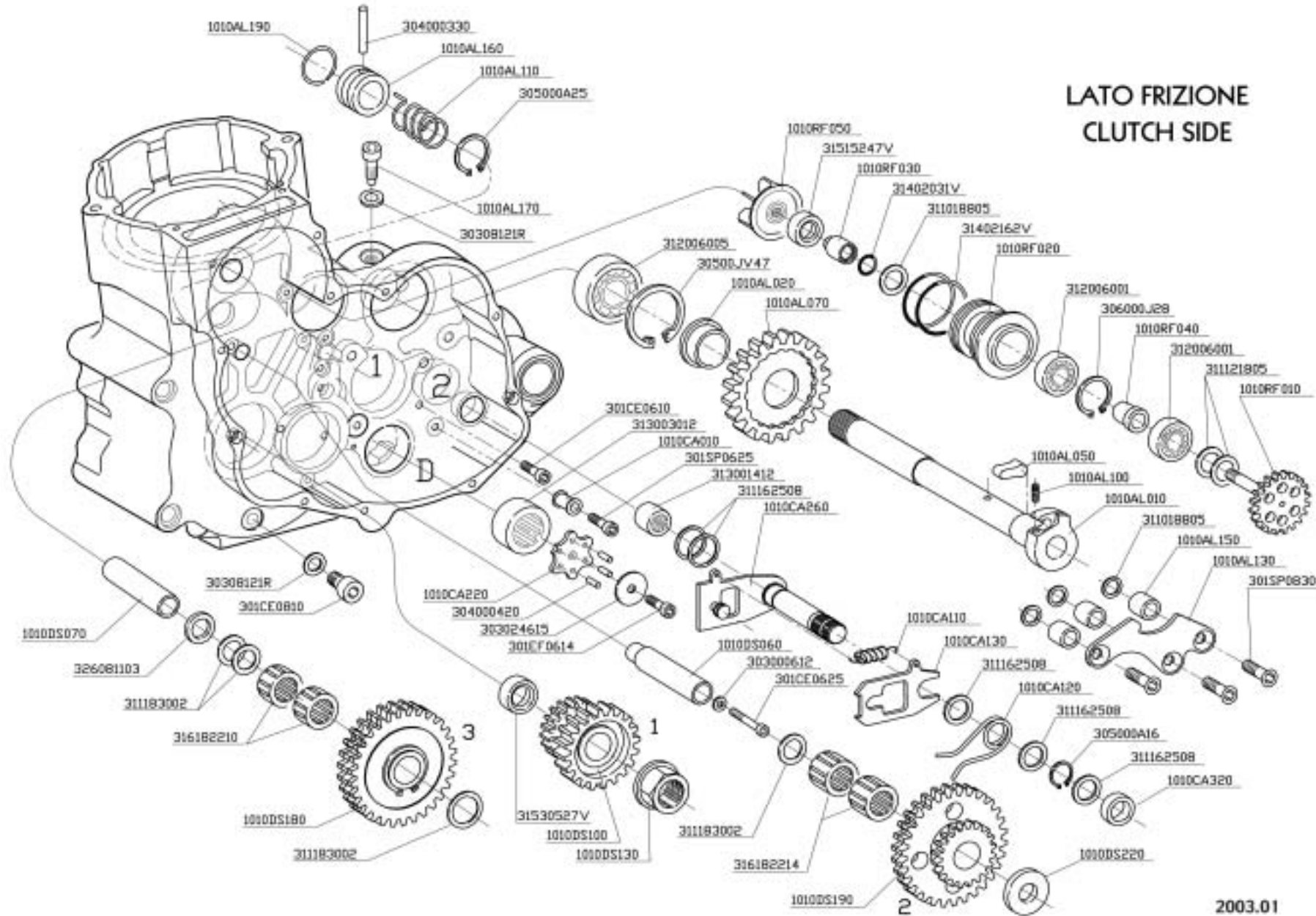
Progr.	Cod.	Quantita	Descrizione	Description	Description	Bezeichnung	Descripción
1	1010CA040	1	DISTANZIALE	SPACER	ENTRETOISE	DISTANZ	DISTANCIADOR
2	1010CA100	1	MOLLA	SPRING	RESSORT DE RAPPEL	RUCKHOLFEDER	MUELLE
3	1010CA250	1	LEVETTA	STOPPER ARM	LEVIER	HEBEL	PALANQUITA
4	1010FR010	1	GACO	SEAL	BAGUE D'ENTACHEITE	DICHTRING	ANILLO DE CIERRE
5	1010FR030	1	CAMPANA	CLUTCH HOUSING	CLOCHE D'EMBAYAGE	KUPPLUNGKORB	CAMPANA
6	1010FR070	1	MOLLA	CLUTCH SPRING	RESORT DE RAPPEL	RUCKHOLFEDER	MUELLE
7	1010FR080	1	MOZZETTO	CLUTCH HUB	TAMBOUR D'EMBAYAGE	KUPPLUNG STROMELL	CUBITO
8	1010FR090	1	PIATTELLO	SHAFT	AXE	LAGERHALTER	PLATILLO
9	1010FR100	6	MOLLA	SPRING	RESSORT DE RAPPEL	RUCKHOLFEDER	MUELLE
10	1010FR110	1	PISTONE BREMBO	PISTON	PISTON	KOLBEN	PISTÓN
11	1010FR120	1	RAGNO	FRONT HUB	ARAIGNEE	SPINNE	ARAÑA
12	1010FR130	1	PIATTO	REAR PLATE	CUVETTE	TELLER	PLATO
13	1010FR140	1	BRONZINA	BUSHING	DOUILLE	BUCHSE	COJINETE
14	1010FR150	1	DISCO	HUB PLATE	CUVETTE	TELLER	DISCO
15	1010FR170	6	COLONNINA	SPACER	PIVOT HUILE	BOLZEN	COLUMNITA
16	1010FR230	1	PISTONE MAGURA	PISTON	PISTON	KOLBEN	PISTÓN
17	1010LU010	1	POMPA OLIO	OIL PUMP	POMPE D'HUILE	PUMPE	BOMBA ACEITE
18	1010LU020	1	GUARNIZIONE	SEALING	ETANCHEITE	DICHTUNG	GUARNICIÓN
19	1010LU030	1	INGRANAGGIO Z15	GEARWHEEL Z15	PIGNON Z15	ZAHNRAD Z15	ENGRANAJE Z15
20	1010LU040	1	INGRANAGGIO Z 16	GEARWHEEL Z16	PIGNON Z16	ZAHNRAD Z16	ENGRANAJE Z16
21	1010LU050	1	SPINA	PIN	AXE	ZAPFEN	PERNO
22	1020RD010	1	RONDELLA	WASHER	RONDELLE	SCHEIBE	ARANDELA
23	301CE0520	2	VITE T.C.E.I. M5x20	SCREW	VIS	SCHRAUBE	TORNILLO
24	301CE0412	1	VITE T.C.E.I. M4x12	SCREW	VIS	SCHRAUBE	TORNILLO
25	301SP0616	6	VITE T.S.P.E.I. M6x16	SCREW	VIS	SCHRAUBE	TORNILLO
26	301SP0620	6	VITE T.S.P.E.I. M6x20	SCREW	VIS	SCHRAUBE	TORNILLO
27	301SP0630	1	VITE T.S.P.E.I. M6x30	SCREW	VIS	SCHRAUBE	TORNILLO
28	301TE0610	1	VITE T.E. M6x10	SCREW	VIS	SCHRAUBE	TORNILLO
29	301TE0615	1	VITE T.E. M6x15	SCREW	VIS	SCHRAUBE	TORNILLO
30	303066006	1	ROSETTA	WASHER	RONDELLE	SCHEIBE	ARANDELA
31	305000A12	1	SEEGER	CIRCLIP	CIRCLIP	FEDERRING	ANILLO DE RETENCIÓN
32	305000A24	2	SEEGER	CIRCLIP	CIRCLIP	FEDERRING	ANILLO DE RETENCIÓN
33	307002X26	1	LINGUETTA	KEY	CLE	PASSFEDER	LENGÜETA
34	311025351	2	RONDELLA	WASHER	RONDELLE	SCHEIBE	ARANDELA
35	311123221	1	RASAMENTO	SPACER	ENTRETOISE	DISTANZ	LAMINILLA DE AJUSTE
36	313001212	1	BOCCOLA	BUSHING	DOUILLE	BUCHSE	BUJE
37	31402106V	3	ANELLO OR 2106	O-RING	JOINT TORIQUE	O-RING	ANILLO OR
38	31402137N	1	ANELLO OR 2137	O-RING	JOINT TORIQUE	O-RING	ANILLO OR
39	316001024	1	RONDELLA	WASHER	RONDELLE	SCHEIBE	ARANDELA
40	313101220	1	BOCCOLA	BUSHING	DOUILLE	BUCHSE	BUJE
41	326001024	1	RONDELLA	WASHER	RONDELLE	SCHEIBE	ARANDELA
42	326002542	1	RONDELLA	WASHER	RONDELLE	SCHEIBE	ARANDELA
43	345000ACC	8	DISCO ACCIAIO	STELL PLATE	DISQUE METALLIQUE	SCHEIBE	DISCO ACERO
44	345000GUA	7	DISCO D'ATTRITO	CLUTCH PLATE	DISQUE AVEC GARNITURES	KUPPLUNGSSCHEIBE	DISCO DE FRICCIÓN



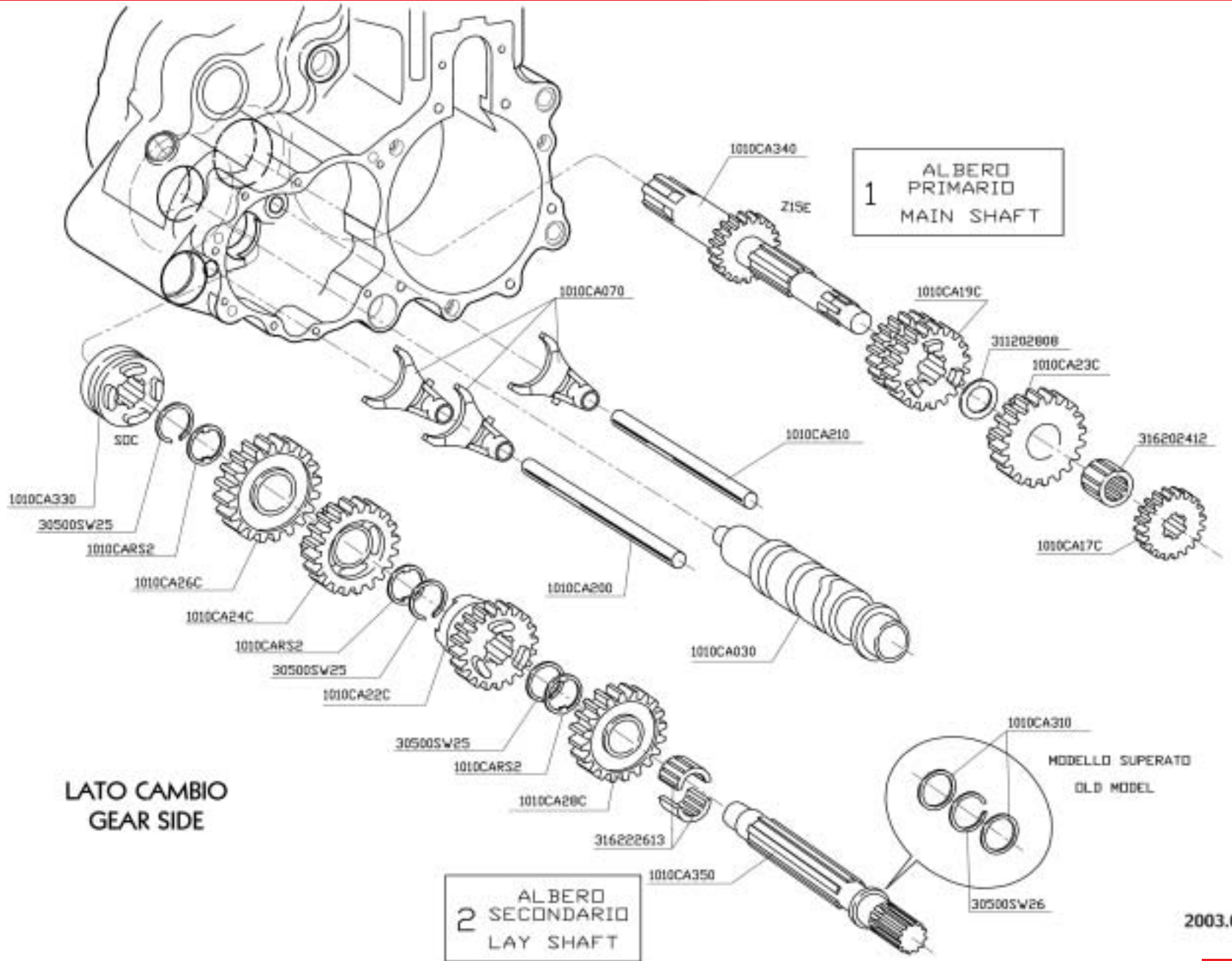
Progr.	Cod.	Quantita	Descrizione	Description	Description	Bezeichnung	Descripción
1	1010AC010	1	BOCCOLA	BUSHING	DOUILLE	BUCHSE	BUJE
2	1010AC020	1	COPERCHIO	COVER	COUVERCLE	KAPPE	TAPA
3	1010AC030	1	DADO	NUT	ECROU	MUTTER	TUERCA
4	1010AC040	1	PIASTRINA	PLATE	PLAQUETTE	PLATTCHEN	PLAQUITA
5	1010AC050	1	GUARNIZIONE	SEALING	ETANCHEITE	DICHTUNG	GUARNICIÓN
6	1010AL030	1	CANOCCHIALE	PIPE	TUBE	ROHR	TUBO
7	1010BL010	1	BIELLA	CONNECTION ROD	BIELLE	PLEUEL	BIELA
8	1010BL020	1	BOTTONE	CRANK-PIN	AXE DE BIELLE	PLEUELBOUZEN	BOTÓN
9	1010BL030	1	FLANGIA	ENGINE COVER	CARTER	SCHWUNGRADDECKEL	ARANDELA
10	1010BL040	1	GUARNIZIONE	SEALING	ETANCHEITE	DICHTUNG	GUARNICIÓN
11	1010BL090	1	ALBERO MOTORE	CRANKSHAFT	VILBREQUIN	KURBEWELLE	ÁRBOL MOTOR
12	1010BS020	1	BUSSOLA	BUSHING	DOUILLE	BUCHSE	MANGUITO
13	1010BS030	1	BUSSOLA	BUSHING	DOUILLE	BUCHSE	MANGUITO
14	1010BS050	1	PRIGIONIERO	STUD	VIS SANS TETE	GEWINDESTIFTE	TORNILLO PRISIONERO
15	1010BS070	7	PRIGIONIERO	STUD	VIS SANS TETE	GEWINDESTIFTE	TORNILLO PRISIONERO
16	1010BS080	1	RACCORDO	CONNECTION	CONNEXION	ANSCHLUSS	EMPALME
17	1010BS090	3	BUSSOLA	BUSHING	DOUILLE	BUCHSE	MANGUITO
18	1010BS160	1	TAPPO	PLUG	SCHRAUBE	SCHRAUBE	TAPÓN
19	1010CA020	1	COPERCHIO	COVER	CARTER	DECKEL	TAPA
20	1010CA050	1	PIGNONE Z15	GEARWHEEL Z15	PIGNON Z15	ZAHNRAD Z15	PIÑÓN Z15
21	1010CA060	1	DISTANZIALE	SPACER	ENTRETOISE	DISTANZ	DISTANCIADOR
22	1010CA080	1	GUARNIZIONE	SEALING	ETANCHEITE	DICHTUNG	GUARNICIÓN
23	1010CA140	1	PIGNONE Z 14	GEARWHEEL Z14	PIGNON Z14	ZAHNRAD Z14	PIÑÓN Z14
24	1010LU060	1	FILTRO OLIO	OLI FILTER	FILTRE A HUILE	OLFILTER	FILTRO ACEITE
25	1010LU080	1	TAPPO	PLUG	SCHRAUBE	SCHRAUBE	TAPÓN
26	1010LU120	1	MOLLA	SPRING	RESSORT DE RAPPEL	RUCKHOLFEDER	MUELLE
27	303001224	1	ROSETTA	WASHER	RONDELLE	SCHEIBE	ARANDELA
28	30302026A	1	RONDELLA	WASHER	RONDELLE	SCHEIBE	ARANDELA
29	30302026R	1	RONDELLA	WASHER	RONDELLE	SCHEIBE	ARANDELA
30	309158208	8	RONDELLA	WASHER	RONDELLE	SCHEIBE	ARANDELA
31	311024301	1	RASAMENTO	SPACER	ENTRETOISE	DISTANZ	LAMINILLA DE AJUSTE
32	313003012	1	CUSCINETTO	BEARING	ROULEMENT	LAGER	COJINETE
33	312006203	1	CUSCINETTO	BEARING	ROULEMENT	LAGER	COJINETE
34	312006903	1	CUSCINETTO	BEARING	ROULEMENT	LAGER	COJINETE
35	313101220	1	BOCCOLA	BUSHING	DOUILLE	BUCHSE	BUJE
36	316383018	1	GABBIA	NEEDLE	ROULEMENT	NADELLAGER	JAULA
37	370000120	1	VOLANO	FLYWHEEL	VOLANT	SCHWUNGRAD	VOLANTE
38	301BE0058	2	VITE T.B.E.I. M5x8	SCREW	VIS	SCHRAUBE	TORNILLO
39	301CE0530	3	VITE T.C.E.I. M5x30	SCREW	VIS	SCHRAUBE	TORNILLO
40	301CE0625	2	VITE T.C.E.I. M6x25	SCREW	VIS	SCHRAUBE	TORNILLO
41	301EF0516	4	VITE T.E.F. M5x16	SCREW	VIS	SCHRAUBE	TORNILLO
42	301EF0616	2	VITE T.E.F. M6x16	SCREW	VIS	SCHRAUBE	TORNILLO
43	30208CH10	8	DADO M8	NUT	ECROU	MUTTER	TUERCA
44	305000A24	1	SEEGER	CIRCLIP	CIRCLIP	FEDERRING	ANILLO DE RETENCIÓN
45	30500JV47	1	SEEGER	CIRCLIP	CIRCLIP	FEDERRING	ANILLO DE RETENCIÓN
46	3070003X5	1	LINGUETTA	KEY	CLE	PASSFEDER	LENGÜETA
47	311625404-03	1	RONDELLA	WASHER	RONDELLE	SCHEIBE	ARANDELA
48	312006203	2	CUSCINETTO	BEARING	ROULEMENT	LAGER	COJINETE
49	312006205	1	CUSCINETTO	BEARING	ROULEMENT	LAGER	COJINETE
50	312006206	2	CUSCINETTO	BEARING	ROULEMENT	LAGER	COJINETE
51	3123NU303	1	CUSCINETTO	BEARING	ROULEMENT	LAGER	COJINETE
52	31402093N	3	ANELLO OR 2093	O-RING	JOINT TORIQUE	O-RING	ANILLO OR
53	31402112N	1	ANELLO OR 2112	O-RING	JOINT TORIQUE	O-RING	ANILLO OR
54	31402137N	1	ANELLO OR 2137	O-RING	JOINT TORIQUE	O-RING	ANILLO OR
55	31402081N	1	ANELLO OR 2081	ORING	JOINT TORIQUE	O-RING	ANILLO OR
56	315030407	1	GUARNIZIONE	SEALING	ETANCHEITE	DICHTUNG	GUARNICIÓN
57	315022327	1	GUARNIZIONE	SEALING	ETANCHEITE	DICHTUNG	GUARNICIÓN
58	31520307V	1	GUARNIZIONE	SEALING	ETANCHEITE	DICHTUNG	GUARNICIÓN
59	316383018	1	GABBIA RULLI	NEEDLE BEARING	ROULEMENT	NADELLAGER	JAULA TAMBORES
60	3240SFE25	1	SFERA	BALL	BILLE	KUGEL	ESFERA



Progr.	Cod.	Quantita	Descrizione	Description	Description	Bezeichnung	Descripción
1	1010AL010	1	ALBERO	SHAFT	ARBRE	WELLE	ÁRBOL
2	1010AL020	1	BRONZINA	BUSHING	DOUILLE	BUCHSE	COJINETE
3	1010AL050	1	DENTE M-M	TOOTH	DENTE	ZAHN	DIENTE
4	1010AL070	1	INGRANAGGIO	GEARWHEEL	PIGNON	ZAHNRAD	ENGRANAJE
5	1010AL100	1	MOLLA	SPRING	RESSORT DE RAPPEL	RUCKHOLFEDER	MUELLE
6	1010AL110	1	MOLLA	SPRING	RESSORT DE RAPPEL	RUCKHOLFEDER	MUELLE
7	1010AL130	1	PIASTRINA	PLATE	PLAQUETTE	PLATTCHEN	PLAQUITA
8	1010AL150	3	DISTANZIALE	SPACER	ENTRETOISE	DISTANZ	DISTANCIADOR
9	1010AL160	1	DISTANZIALE	SPACER	ENTRETOISE	DISTANZ	DISTANCIADOR
10	1010AL170	1	VITE	SCREW	VIS	SCHRAUBE	TORNILLO
11	1010AL190	1	ANELLO	CIRCLIP	CIRCLIP	FEDERRING	ANILLO
12	1010CA010	1	BOCCOLA	BUSHING	DOUILLE	BUCHSE	BUJE
13	1010CA110	1	MOLLA	SPRING	RESSORT DE RAPPEL	RUCKHOLFEDER	MUELLE
14	1010CA120	1	MOLLA	SPRING	RESSORT DE RAPPEL	RUCKHOLFEDER	MUELLE
15	1010CA130	1	PIASTRINA	PLATE	PLAQUETTE	PLATTCHEN	PLAQUITA
16	1010CA170	1	RONDELLA	WASHER	RONDELLE	SCHEIBE	ARANDELA
17	1010CA220	1	STELLA DESMO	POSITION STAR	E'TOILE DE BLOCAGE	SPERRSTERN	ESTRELLA DE BLOQUEO
18	1010CA260	1	SELETTORE	SELECTOR	SELECTEUR	WAHLLSCHIEBER	SELECTOR
19	1010CA320	1	DISTANZIALE	SPACER	ENTRETOISE	DISTANZ	DISTANCIADOR
20	1010DS060	1	PERNO	PIN	ERGOT	STIFT	PERNO
21	1010DS070	1	PERNO	PIN	ERGOT	STIFT	PERNO
22	1010DS100	1	PIGNONE	GEARWHEEL	PIGNON	ZAHNRAD	PIÑÓN
23	1010DS130	1	DADO	NUT	ECROU	MUTTER	TUERCA
24	1010DS180	1	3 INGRANAGGIO	3TH GEARTIMING	PIGNON	ZAHNRAD	3º ENGRANAJE
25	1010DS190	1	2 INGRANAGGIO	2TH GEARTIMING	PIGNON	ZAHNRAD	2º ENGRANAJE
26	1010DS200	1	RASAMENTO	SPACER	ENTRETOISE	DISTANZ	LAMINILLA DE AJUSTE
27	1010DS270	1	RALLA	WASHER	RONDELLE	SCHEIBE	RODAMIENTO DE EMPUJE
28	1010FR160	2	BUSSOLA	BUSHING	DOUILLE	BUCHSE	MANGUITO
29	1010RF010	1	ALBERINO ING. Z 36	GEAR SHAFT	ARBRE DE LA COURONNE	ZAHNRADWELLE	ARBOLITO ENGRANAJE
30	1010RF020	1	CORPO POMPA	PUMP BODY	CORPS POMP A EAU	WASSERPUMPE GEHAUSE	CUERPO BOMBA
31	1010RF030	1	DISTANZIALE	SPACER	ENTRETOISE	DISTANZ	DISTANCIADOR
32	1010RF040	1	DISTANZIALE	SPACER	ENTRETOISE	DISTANZ	DISTANCIADOR
33	1010RF050	1	GIRANTE	IMPELLER	COURONNE MOBILE	LAUFRAD	ROTOR
34	301CE0610	1	VITE T.C.E.I. M6x10	SCREW	VIS	SCHRAUBE	TORNILLO
35	301CE0625	1	VITE T.C.E.I. M6x25	SCREW	VIS	SCHRAUBE	TORNILLO
36	301CE0810	1	VITE T.C.E.I. M8x10	SCREW	VIS	SCHRAUBE	TORNILLO
37	301EF0614	1	VITE T.E.F. M6x14	SCREW	VIS	SCHRAUBE	TORNILLO
38	301SP0625	1	VITE T.S.P.E.I. M6x25	SCREW	VIS	SCHRAUBE	TORNILLO
39	301SP0830	3	VITE T.S.P.E.I. M8x30	SCREW	VIS	SCHRAUBE	TORNILLO
40	30308121R	2	RONDELLA	WASHER	RONDELLE	SCHEIBE	ARANDELA
41	303000612	1	RONDELLA	WASHER	RONDELLE	SCHEIBE	ARANDELA
42	303024615	1	RONDELLA	WASHER	RONDELLE	SCHEIBE	ARANDELA
43	304000330	1	RULLINO	PIN	ERGOT	STIFT	PERNO
44	304000420	6	RULLINO	PIN	ERGOT	STIFT	PERNO
45	305000A16	1	SEEGER	CIRCLIP	CIRCLIP	FEDERRING	ANILLO DE RETENCIÓN
46	305000A25	1	SEEGER	CIRCLIP	CIRCLIP	FEDERRING	ANILLO DE RETENCIÓN
47	30500JV47	1	SEEGER	CIRCLIP	CIRCLIP	FEDERRING	ANILLO DE RETENCIÓN
48	306000J28	1	SEEGER	CIRCLIP	CIRCLIP	FEDERRING	ANILLO DE RETENCIÓN
49	311018805	4	RASAMENTO	SPACER	ENTRETOISE	DISTANZ	LAMINILLA DE AJUSTE
50	311121805	2	RASAMENTO	SPACER	ENTRETOISE	DISTANZ	LAMINILLA DE AJUSTE
51	311162508	5	RASAMENTO	SPACER	ENTRETOISE	DISTANZ	LAMINILLA DE AJUSTE
52	311183002	3	RASAMENTO	SPACER	ENTRETOISE	DISTANZ	LAMINILLA DE AJUSTE
53	313003012	1	CUSCINETTO	BEARING	ROULEMENT	LAGER	COJINETE
54	312006001	2	CUSCINETTO	BEARING	ROULEMENT	LAGER	COJINETE
55	313001412	1	RULLINO	PIN	ERGOT	STIFT	PERNO
56	31402031V	1	ANELLO OR 2031	O-RING	JOINT TORIQUE	O-RING	ANILLO OR
57	31402162V	2	ANELLO OR 2162	O-RING	JOINT TORIQUE	O-RING	ANILLO OR
58	31515247V	1	GUARNIZIONE	SEALING	ETANCHEITE	DICHTUNG	GUARNICIÓN
59	31530527V	1	GUARNIZIONE	SEALING	ETANCHEITE	DICHTUNG	GUARNICIÓN
60	316182210	2	GABBIA RULLI	NEEDLE BEARING	ROULEMENT	NADELLAGER	JAULA TAMBORES
61	316182214	2	GABBIA RULLI	NEEDLE BEARING	ROULEMENT	NADELLAGER	JAULA TAMBORES
62	326081103	1	RALLA	WASHER	RONDELLE	SCHEIBE	RODAMIENTO DE EMPU-



Progr.	Cod.	Quantita	Descrizione	Description	Description	Bezeichnung	Descripción
1	1010CA030	1	DESMO 4 VELOCITA'	SHIFT DRUM	BARILLET	SCHALTWALZE	CAMBIO
2	1010CA070	3	FORCELLA CAMBIO	SHIFTFORK	FOURCHETTE	SCHIFTGABEL	HORQUILLA DEL CAMBIO
3	1010CA200	1	SPINA L 126.5	PIN L 126.5	ERGOT L 126.5	STIFT L 126.5	PERNO L 126.5
4	1010CA210	1	SPINA L 111	PIN L 111	ERGOT L 111	STIFT L 111	PERNO L 111
5	1010CA310	2	DISTANZIALE	SPACER	ENTRETOISE	DISTANZ	DISTANCIADOR
6	1010CA330	1	SCORREVOLE	GUIDE PLATE	RONDELLE DE BUTEE	DISTANZSCHEIBE	GUÍA CORREDERA
7	1010CA340	1	ALBERO PRIMARIO	1ST SHAFT	AXE	LAGERHALTER	ÁRBOL PRIMARIO
8	1010CA350	1	ALBERO SEC.	2ND SHAFT	AXE	LAGERHALTER	ÁRBOL SECUNDARIO
9	1010CA26C	1	INGRANAGGIO Z26C	GEARWHEEL Z26C	PIGNON Z26C	ZAHNRAD Z26C	ENGRANAJE Z26C
10	1010CA24C	1	INGRANAGGIO Z24C	GEARWHEEL Z24C	PIGNON Z26C	ZAHNRAD Z24C	ENGRANAJE Z24C
11	1010CA22C	1	INGRANAGGIO Z22C	GEARWHEEL Z22C	PIGNON Z22C	ZAHNRAD Z22C	ENGRANAJE Z22C
12	1010CA28C	1	INGRANAGGIO Z28C	GEARWHEEL Z28C	PIGNON Z28C	ZAHNRAD Z28C	ENGRANAJE Z28C
13	1010CA19C	1	INGRANAGGIO Z19C	GEARWHEEL Z19C	PIGNON Z19C	ZAHNRAD Z19C	ENGRANAJE Z19C
14	1010CA23C	1	INGRANAGGIO Z23C	GEARWHEEL Z23C	PIGNON Z23C	ZAHNRAD Z23C	ENGRANAJE Z23C
15	1010CA17C	1	INGRANAGGIO Z17C	GEARWHEEL Z17C	PIGNON Z17C	ZAHNRAD Z17C	ENGRANAJE Z17C
16	1010CARS2	7	RONDELLA	WASHER	RONDELLE	SCHEIBE	ARANDELA
17	30500SW25	7	SEEGER	CIRCLIP	CIRCLIP	FEDERRING	ANILLO DE RETENCIÓN
18	30500SW26	1	SEEGER	CIRCLIP	CIRCLIP	FEDERRING	ANILLO DE RETENCIÓN
19	311202808	1	RONDELLA	WASHER	RONDELLE	SCHEIBE	ARANDELA
20	316202412	2	GABBIA RULLI	NEEDLE BEARING	ROULEMENT	NADELLAGER	JAULA TAMBORES
21	316222613	3	GABBIA RULLI	NEEDLE BEARING	ROULEMENT	NADELLAGER	JAULA TAMBORES

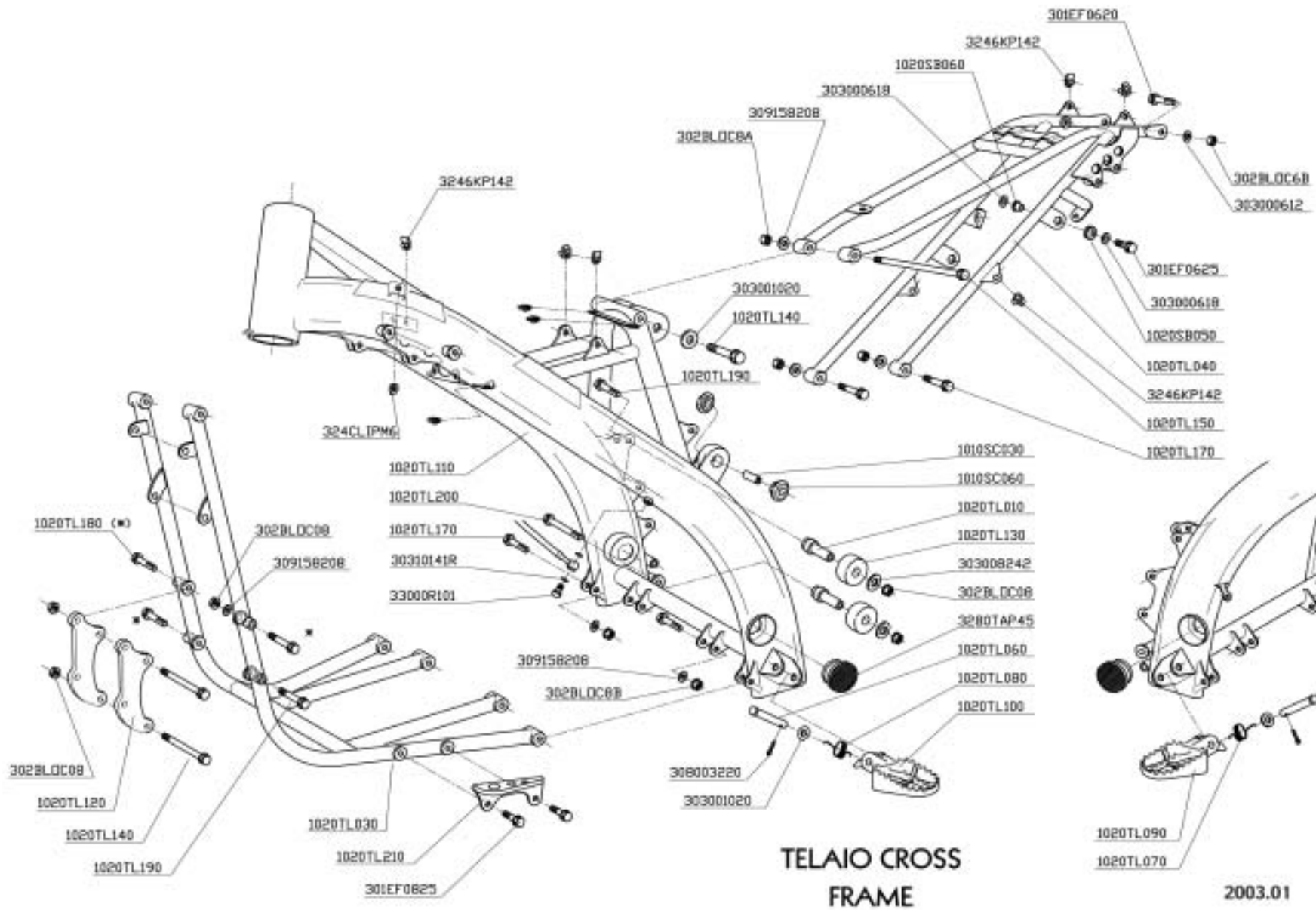


2003.01

7.

Progr.	Cod.	Quantita	Descrizione	Description	Description	Bezeichnung	Descripción
1	1110CA030	1	DESMO 6 VELOCITA'	SHIFT DRUM	BARILLET	SCHALTWALZE	CAMBIO
2	1010CA070	3	FORCELLA CAMBIO	SHIFTFORK	FOURCHETTE	SCHIFTGABEL	HORQUILLA CAMBIO
3	1010CA200	1	SPINA L 126.5	PIN L 126.5	ERGOT L 126.5	STIFT L 126.5	PERNO L 126.5
4	1010CA210	1	SPINA L 111	PIN L 111	ERGOT L 111	STIFT L 111	PERNO L 111
5	1010CA310		DISTANZIALE	SPACER	ENTRETOISE	DISTANZ	DISTANCIADOR
6	1010CA330	1	SCORREVOLE	GUIDE PLATE	RONDELLE DE BUTEE	DISTANZSCHEIBE	GUÍA CORREDERA
7	1010CA340	1	ALBERO PRIMARIO	1ST SHAFT	AXE	LAGERHALTER	ÁRBOL PRIMARIO
8	1010CA350	1	ALBERO SEC.	2ND SHAFT	AXE	LAGERHALTER	ÁRBOL SECUNDARIO
9	1010CA32E	1	INGRANAGGIO Z32E	GEARWHEEL Z32C	PIGNON Z32C	ZAHNRAD Z32C	ENGRANAJE Z32E
10	1010CA22E	1	INGRANAGGIO Z22E	GEARWHEEL Z22C	PIGNON Z22C	ZAHNRAD Z22C	ENGRANAJE Z22E
11	1010CA26E	1	INGRANAGGIO Z26E	GEARWHEEL Z26E	PIGNON Z26E	ZAHNRAD Z26E	ENGRANAJE Z26E
12	1010CA24E	1	INGRANAGGIO Z24E	GEARWHEEL Z24E	PIGNON Z24E	ZAHNRAD Z24E	ENGRANAJE Z24E
13	1010CA21E	1	INGRANAGGIO Z21E	GEARWHEEL Z21E	PIGNON Z21E	ZAHNRAD Z21E	ENGRANAJE Z21E
14	1010CA28E	1	INGRANAGGIO Z28E	GEARWHEEL Z28E	PIGNON Z28E	ZAHNRAD Z28E	ENGRANAJE Z28E
15	1010CA24P	1	INGRANAGGIO Z24P	GEARWHEEL Z24P	PIGNON Z24P	ZAHNRAD Z24P	ENGRANAJE Z24P
16	1010CA23E	1	INGRANAGGIO Z23E	GEARWHEEL Z23E	PIGNON Z23E	ZAHNRAD Z23E	ENGRANAJE Z23E
17	1010CA25E	1	INGRANAGGIO Z25E	GEARWHEEL Z25E	PIGNON Z25E	ZAHNRAD Z25E	ENGRANAJE Z25E
18	1010CA18E	1	INGRANAGGIO Z18E	GEARWHEEL Z18E	PIGNON Z18E	ZAHNRAD Z18E	ENGRANAJE Z18E
19	1010CARS1	1	RONDELLA	WASHER	RONDELLE	SCHEIBE	ARANDELA
20	1010CARS2	7	RONDELLA	WASHER	RONDELLE	SCHEIBE	ARANDELA
21	30500SW25	7	SEEGER	CIRCLIP	CIRCLIP	FEDERRING	ANILLO DE RETENCIÓN
22	30500SW26	1	SEEGER	CIRCLIP	CIRCLIP	FEDERRING	ANILLO DE RETENCIÓN
23	311202808	1	RONDELLA	WASHER	RONDELLE	SCHEIBE	ARANDELA
24	316202410	1	GABBIA RULLI	NEEDLE BEARING	ROULEMENT	NADELLAGER	JAULA TAMBORES
25	316202412	2	GABBIA RULLI	NEEDLE BEARING	ROULEMENT	NADELLAGER	JAULA TAMBORES
26	316222613	3	GABBIA RULLI	NEEDLE BEARING	ROULEMENT	NADELLAGER	JAULA TAMBORES

Progr.	Cod.	Quantita	Descrizione	Description	Description	Bezeichnung	Descripción
1	1010SC030	1	DISTANZIALE	SPACER	ENTRETOISE	DISTANZ	DISTANCIADOR
2	1010SC060	2	ANTIVIBRANTE	SILENT BLOCK	SILENT BLOCK	SILENT BLOCK	ANTIVIBRANTE
3	1020SB050	2	DISTANZIALE	SPACER	ENTRETOISE	DISTANZ	DISTANCIADOR
4	1020SB060	2	ANTIVIBRANTE	SILENT BLOCK	SILENT BLOCK	SILENT BLOCK	ANTIVIBRANTE
5	1020TL010	2	DISTANZIALE	SPACER	ENTRETOISE	DISTANZ	DISTANCIADOR
6	1020TL030	1	CULLA ANTERIORE	FRONT CRADLE	BERCEAU AV.	VORDERE WEIGE	BASTIDOR ANTERIOR
7	1020TL040	1	TELAIETTO POST.	REAR CRADLE	BERCEAU ARRIERE	HINTERE WEIGE	BASTIDOR POSTERIOR
8	1020TL060	2	PERNO PEDANA	FOOT PIN	PIVOT REPOSE PIED	FUSSRASTE STIFT	PERNO PEDAL APOYAPIÉS
9	1020TL070	1	MOLLA DX	RIGHT SPRING	RESSORT DE RAPPEL	RUCKHOLFEDER	MUELLE DERECHO
10	1020TL080	1	MOLLA SX	LEFT SPRING	RESSORT DE RAPPEL	RUCKHOLFEDER	MUELLE IZQUIERDO
11	1020TL090	1	PEDANA DX	R. H. FOOT	REPOSE PIED GAUCHE	FUSSRASTE RECHTS	PEDAL APOYAPIÉS DERECHO
12	1020TL100	1	PEDANA SX	L. H. FOOT	REPOSE PIED DROITE	FUSSRASTE LINKS	PEDAL APOYAPIÉS IZQUIERDO
13	1020TL110	1	PERIMETRALE	FRAME	CHASSIS	CHASSIS	CHASIS
14	1020TL120	2	PIASTRA MOTORE	ENGINE PLATE	PLAQUE MOTEUR	MOTORPLATTE	PLANCHA MOTOR
15	1020TL130	2	RULLO	ROLLER	ROULEAU	ROLLE	TAMBOR
16	1020TL140	2	VITE T.E.F. M8x136	SCREW	VIS	SCHRAUBE	TORNILLO
17	1020TL150	1	VITE T.E.F. M8x164	SCREW	VIS	SCHRAUBE	TORNILLO
18	1020TL160	2	VITE T.E.F. M8x45	SCREW	VIS	SCHRAUBE	TORNILLO
19	1020TL170	8	VITE T.E.F. M8x37	SCREW	VIS	SCHRAUBE	TORNILLO
20	1020TL180	3	VITE T.E.F. M8x52	SCREW	VIS	SCHRAUBE	TORNILLO
21	1020TL190	1	VITE T.E.F. M8x55	SCREW	VIS	SCHRAUBE	TORNILLO
22	1020TL200	1	VITE T.E.F. M8x81	SCREW	VIS	SCHRAUBE	TORNILLO
23	1020TL210	1	PROTEZIONE LEVA	PROTECTION LEVER	PROTEGE LEVIER	HEBELSCHUTZ	PROTECCIÓN DE LA PALANCA
24	301EF0620	2	VITE T.E.F. M8x20	SCREW	VIS	SCHRAUBE	TORNILLO
25	301EF0825	2	VITE T.E.F. M8x25	SCREW	VIS	SCHRAUBE	TORNILLO
26	302BLOC8A	1	DADO M8	NUT	ECROU	MUTTER	TUERCA
27	302BLOC08	15	DADO M8	NUT	ECROU	MUTTER	TUERCA
28	303000612	2	RONDELLA	WASHER	RONDELLE	SCHEIBE	ARANDELA
29	303000816	2	RONDELLA	WASHER	RONDELLE	SCHEIBE	ARANDELA
30	303158208	2	RONDELLA	WASHER	RONDELLE	SCHEIBE	ARANDELA
31	303001020	2	RONDELLA	WASHER	RONDELLE	SCHEIBE	ARANDELA
32	303008242	2	RONDELLA	WASHER	RONDELLE	SCHEIBE	ARANDELA
33	308003220	2	COPPIGLIA	SPLIT PIN	GOUPILLE	SPLINT	ESPIGA
34	309158208	6	MOLLA A TAZZA	SPRING	RESSORT DE RAPPEL	RUCKHOLFEDER	MUELLE A TAZA
35	3280TAP45	2	COPRITESTA	COVER	COUVERCLE	DECKEL	CUBRECABEZA
36	3246KP142	12	CLIP AUTOBL. M6	CLIP	ECROU RAPIDE	SPRINGMUTTER	CLIP AUTOBLOQUEO
37	324CLIPM6	2	CLIP M8	CLIP	ECROU RAPIDE	SPRINGMUTTER	CLIP

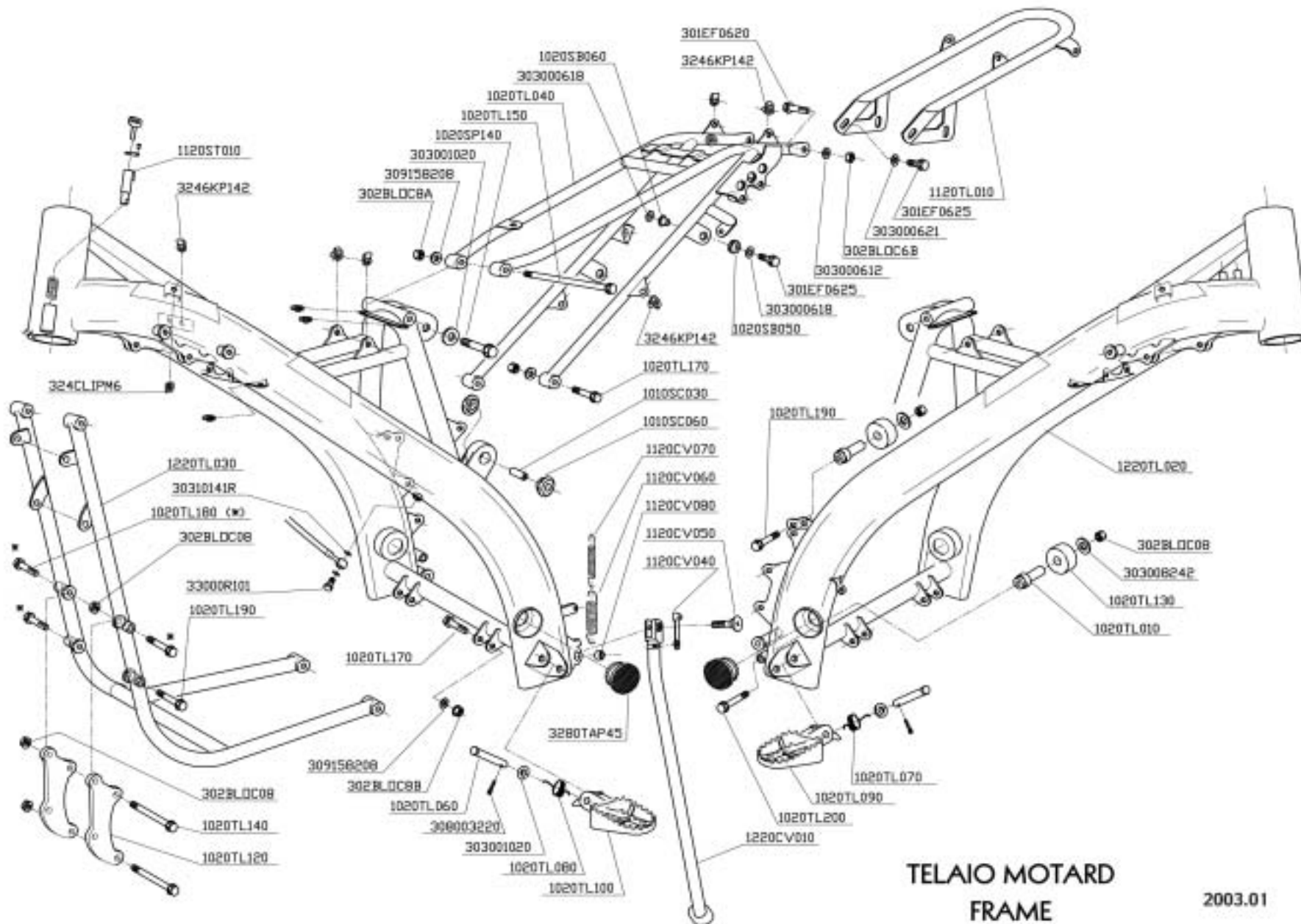


TELAIO CROSS
FRAME

2003.01

Progr.	Cod.	Quantita	Descrizione	Description	Description	Bezeichnung	Descripción
1	1120CV040	1	PIASTRINA	PLATE	PLAQUETTE	PLATTCHEN	PLAQUITA
2	1120CV060	1	MOLLA	SPRING	RESSORT DE RAPPEL	RUCKHOLFEDER	MUELLE
3	1120CV070	1	MOLLA	SPRING	RESSORT DE RAPPEL	RUCKHOLFEDER	MUELLE
4	1120CV080	1	BUSSOLA	BUSHING	DOUILLE	BUCHSE	MANGUITO
5	1120CV050	1	VITE	SCREW	VIS	SCHRAUBE	TORNILLO
6	1020CV110	1	STAMPELLA	CRUTCH	BEQUILLE	KRUEKE	CABALLETE
7	1010SC030	1	DISTANZIALE	SPACER	ENTRETOISE	DISTANZ	DISTANCIADOR
8	1010SC060	2	ANTIVIBRANTE	SILENT BLOCK	SILENT BLOCK	SILENT BLOCK	ANTIVIBRANTE
9	1020SB050	2	DISTANZIALE	SPACER	ENTRETOISE	DISTANZ	DISTANCIADOR
10	1020SB060	2	ANTIVIBRANTE	SILENT BLOCK	SILENT BLOCK	SILENT BLOCK	ANTIVIBRANTE
11	1120ST010	1	BLOCCASTERZO	STEERING LOCK	VERROU DU GUIDON	LENKSCHLOSS	BLOQUEO DIRECCIÓN
12	1020TL010	2	DISTANZIALE	SPACER	ENTRETOISE	DISTANZ	DISTANCIADOR
13	1020TL030	1	CULLA ANTERIORE	FRONT CRADLE	BERCEAU AV.	VORDERE WEIGE	BASTIDOR ANTERIOR
14	1020TL040	1	TELAIETTO POST.	REAR CRADLE	BERCEAU ARRIERE	EHINTERE WEIGE	BASTIDOR POSTERIOR
15	1020TL060	2	PERNO PEDANA	FOOT PIN	PIVOT REPOSE PIED	FUSSRASTERSTIFT	PERNO PEDAL APOYAPIÉS
16	1020TL070	1	MOLLA DX	RIGHT SPRING	RESSORT DE RAPPEL	RUCKHOLFEDER	MUELLE DERECHO
17	1020TL080	1	MOLLA SX	LEFT SPRING	RESSORT DE RAPPEL	RUCKHOLFEDER	MUELLE IZQUIERDO
18	1020TL090	1	PEDANA DX	R. H. FOOT	REPOSE PIED GAUCE	FUSSRASTE RECHTS	PEDAL APOYAPIÉS DERECHO
19	1020TL100	1	PEDANA SX	L. H. FOOT	REPOSE PIED DROITE	FUSSRASTE LINKS	PEDAL APOYAPIÉS IZQUIERDO
20	1120TL010	1	TELAIETTO	FRAME	CHASSIS	CHASSIS	CHASIS
21	1020TL120	2	PIASTRA MOTORE	ENGINE PLATE	PLAQUE MOTEUR	MOTORPLATE	PLANCHA MOTOR
22	1020TL130	2	RULLO	ROLLER	ROULEAU	ROLLE	TAMBOR
23	1020SP140	2	VITE T.E.F. M8x136	SCREW	VIS	SCHRAUBE	TORNILLO
24	1020TL150	1	VITE T.E.F. M8x164	SCREW	VIS	SCHRAUBE	TORNILLO
25	1020TL160	2	VITE T.E.F. M8x45	SCREW	VIS	SCHRAUBE	TORNILLO
26	1020TL170	8	VITE T.E.F. M8x37	SCREW	VIS	SCHRAUBE	TORNILLO
27	1020TL180	3	VITE T.E.F. M8x52	SCREW	VIS	SCHRAUBE	TORNILLO
28	1020TL190	1	VITE T.E.F. M8x55	SCREW	VIS	SCHRAUBE	TORNILLO
29	1020TL200	1	VITE T.E.F. M8x81	SCREW	VIS	SCHRAUBE	TORNILLO
30	1020TL210	1	PROTEZIONE LEVA	LEVER GUARD	PROTEGE LEVIER	HEBELSCHUTZ	PROTECCIÓN PALANCA
31	1120TL020	1	PERIMETRALE	FRAME	CHASSIS	FARWERK	CHASIS
32	301EF0620	2	VITE T.E.F. M6x20	SCREW	VIS	SCHRAUBE	TORNILLO
33	301EF0625	2	VITE T.E.F. M6x25	SCREW	VIS	SCHRAUBE	TORNILLO
34	301EF0825	2	VITE T.E.F. M8x25	SCREW	VIS	SCHRAUBE	TORNILLO
35	302BLOC8A	1	DADO M8	NUT	ECROU	MUTTER	TUERCA
36	302BLOC08	15	DADO M8	NUT	ECROU	MUTTER	TUERCA
37	303000612	2	RONDELLA	WASHER	RONDELLE	SCHEIBE	ARANDELA
38	303000621	2	RONDELLA	WASHER	RONDELLE	SCHEIBE	ARANDELA
39	303000816	2	RONDELLA	WASHER	RONDELLE	SCHEIBE	ARANDELA
40	303001020	2	RONDELLA	WASHER	RONDELLE	SCHEIBE	ARANDELA
41	303008242	2	RONDELLA	WASHER	RONDELLE	SCHEIBE	ARANDELA
42	30310141R	2	RONDELLA	WASHER	RONDELLE	SCHEIBE	ARANDELA
43	303158208	2	RONDELLA	WASHER	RONDELLE	SCHEIBE	ARANDELA
44	308003220	2	COPPIGLIA	SPLIT PIN	GOUPILLE	SPLINT	ESPIGA
45	309158208	6	MOLLA A TAZZA	SPRING	RESSORT DE RAPPEL	RUCKHOLFEDER	MUELLE A TAZA
46	3246KP142	12	CLIP AUTOBL. M6	CLIP	ECROU RAPIDE	SPRINGMUTTER	CLIP AUTOBLOQUEO
47	324CLIPM6	2	CLIP M8	CLIP	ECROU RAPIDE	SPRINGMUTTER	CLIP
48	3280TAP45	2	COPRITESTA	COVER	COUVERCLE	DECKEL	CUBRECABEZA
49	33000R101	1	VITE RACCORDO	SCREW	VIS	SCHRAUBE	TORNILLO EMPALME

Progr.	Cod.	Quantita	Descrizione	Description	Description	Bezeichnung	Descripción
1	1120CV040	1	PIASTRINA	PLATE	PLAQUETTE	PLATTCHEN	PLAQUITA
2	1120CV060	1	MOLLA	SPRING	RESSORT DE RAPPEL	RUCKHOLFEDER	MUELLE
3	1120CV070	1	MOLLA	SPRING	RESSORT DE RAPPEL	RUCKHOLFEDER	MUELLE
4	1120CV080	1	BUSSOLA	BUSHING	DOUILLE	BUCHSE	MANGUITO
5	1120CV050	1	VITE	SCREW	VIS	SCHRAUBE	TORNILLO
6	1020CV110	1	STAMPELLA	CRUTCH	BEQUILLE	KRUEKE	CABALLETE
7	1010SC030	1	DISTANZIALE	SPACER	ENTRETOISE	DISTANZ	DISTANCIADOR
8	1010SC060	2	ANTIVIBRANTE	SILENT BLOCK	SILENT BLOCK	SILENT BLOCK	ANTIVIBRANTE
9	1020SB050	2	DISTANZIALE	SPACER	ENTRETOISE	DISTANZ	DISTANCIADOR
10	1020SB060	2	ANTIVIBRANTE	SILENT BLOCK	SILENT BLOCK	SILENT BLOCK	ANTIVIBRANTE
11	1120ST010		BLOCCASTERZO	STEERING LOCK	VERROU DU GUIDON	LENKSCHLOSS	BLOQUEO DIRECCIÓN
12	1020TL010	2	DISTANZIALE	SPACER	ENTRETOISE	DISTANZ	DISTANCIADOR
13	1020TL030	1	CULLA ANTERIORE	FRONT CRADLE	BERCEAU AV.	VORDERE WEIGE	BASTIDOR ANTERIOR
14	1020TL040	1	TELAIETTO POST.	REAR CRADLE	BERCEAU ARRIERE	EHINTERE WEIGE	BASTIDOR POSTERIOR
15	1020TL060	2	PERNO PEDANA	FOOT PIN	PIVOT REPOSE PIED	FUSSRASTERSTIFT	PERNO PEDAL APOYAPIÉS
16	1020TL070	1	MOLLA DX	RIGHT SPRING	RESSORT DE RAPPEL	RUCKHOLFEDER	MUELLE DERECHO
17	1020TL080	1	MOLLA SX	LEFT SPRING	RESSORT DE RAPPEL	RUCKHOLFEDER	MUELLE IZQUIERDO
18	1020TL090	1	PEDANA DX	R. H. FOOT	REPOSE PIED GAUCE	FUSSRASTE RECHTS	PEDAL APOYAPIÉS DERECHO
19	1020TL100	1	PEDANA SX	L. H. FOOT	REPOSE PIED DROITE	FUSSRASTE LINKS	PEDAL APOYAPIÉS IZQUIERDO
20	1120TL010	1	TELAIETTO	FRAME	CHASSIS	CHASSIS	CHASIS
21	1020TL120	2	PIASTRA MOTORE	ENGINE PLATE	PLAQUE MOTEUR	MOTORPLATE	PLANCHA MOTOR
22	1020TL130	2	RULLO	ROLLER	ROULEAU	ROLLE	TAMBOR
23	1020SP140	2	VITE T.E.F. M8x136	SCREW	VIS	SCHRAUBE	TORNILLO
24	1020TL150	1	VITE T.E.F. M8x164	SCREW	VIS	SCHRAUBE	TORNILLO
25	1020TL160	2	VITE T.E.F. M8x45	SCREW	VIS	SCHRAUBE	TORNILLO
26	1020TL170	8	VITE T.E.F. M8x37	SCREW	VIS	SCHRAUBE	TORNILLO
27	1020TL180	3	VITE T.E.F. M8x52	SCREW	VIS	SCHRAUBE	TORNILLO
28	1020TL190	1	VITE T.E.F. M8x55	SCREW	VIS	SCHRAUBE	TORNILLO
29	1020TL200	1	VITE T.E.F. M8x81	SCREW	VIS	SCHRAUBE	TORNILLO
30	1020TL210	1	PROTEZIONE LEVA	LEVER GUARD	PROTEGE LEVIER	HEBELSCHUTZ	PROTECCIÓN PALANCA
31	1220TL020	1	PERIMETRALE	FRAME	CHASSIS	FAHRWERK	CHASIS
32	301EF0620	2	VITE T.E.F. M6x20	SCREW	VIS	SCHRAUBE	TORNILLO
33	301EF0625	2	VITE T.E.F. M6x25	SCREW	VIS	SCHRAUBE	TORNILLO
34	301EF0825	2	VITE T.E.F. M8x25	SCREW	VIS	SCHRAUBE	TORNILLO
35	302BLOC8A	1	DADO M8	NUT	ECROU	MUTTER	TUERCA
36	302BLOC08	15	DADO M8	NUT	ECROU	MUTTER	TUERCA
37	303000612	2	RONDELLA	WASHER	RONDELLE	SCHEIBE	ARANDELA
38	303000621	2	RONDELLA	WASHER	RONDELLE	SCHEIBE	ARANDELA
39	303000816	2	RONDELLA	WASHER	RONDELLE	SCHEIBE	ARANDELA
40	303001020	2	RONDELLA	WASHER	RONDELLE	SCHEIBE	ARANDELA
41	303008242	2	RONDELLA	WASHER	RONDELLE	SCHEIBE	ARANDELA
42	30310141R	2	RONDELLA	WASHER	RONDELLE	SCHEIBE	ARANDELA
43	303158208	2	RONDELLA	WASHER	RONDELLE	SCHEIBE	ARANDELA
44	308003220	2	COPPIGLIA	SPLIT PIN	GOUPILLE	SPLINT	ESPIGA
45	309158208	6	MOLLA A TAZZA	SPRING	RESSORT DE RAPPEL	RUCKHOLFEDER	MUELLE A TAZA
46	3246KP142	12	CLIP AUTOBL. M6	CLIP	ECROU RAPIDE	SPRINGMUTTER	CLIP AUTOBLOQUEO
47	324CLIPM6	2	CLIP M8	CLIP	ECROU RAPIDE	SPRINGMUTTER	CLIP
48	3280TAP45	2	COPRITESTA	COVER	COUVERCLE	DECKEL	CUBRECABEZA
49	33000R101	1	VITE RACCORDO	SCREW	VIS	SCHRAUBE	TORNILLO EMPALME

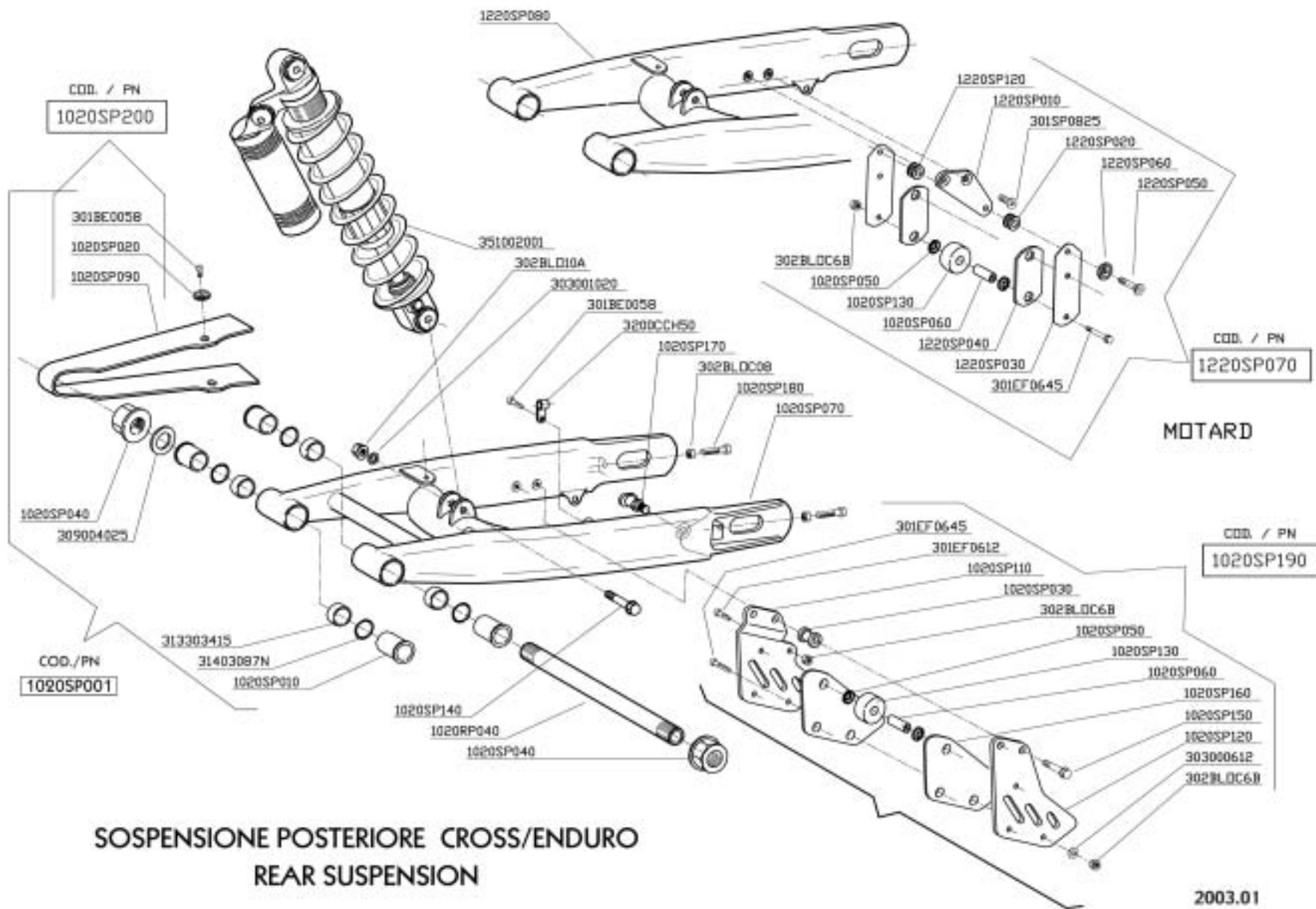


TELAIO MOTARD
FRAME

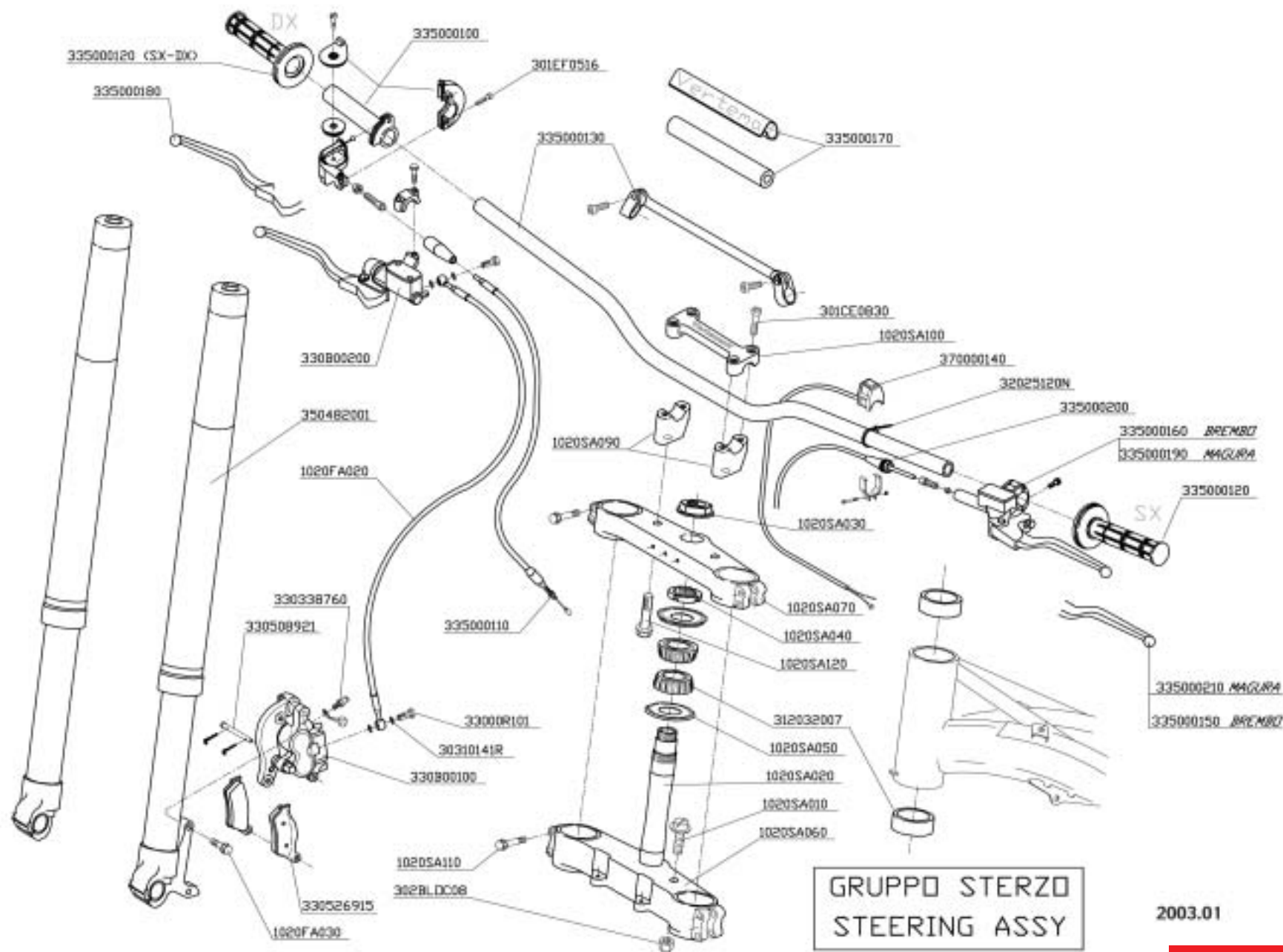
2003.01

9.02

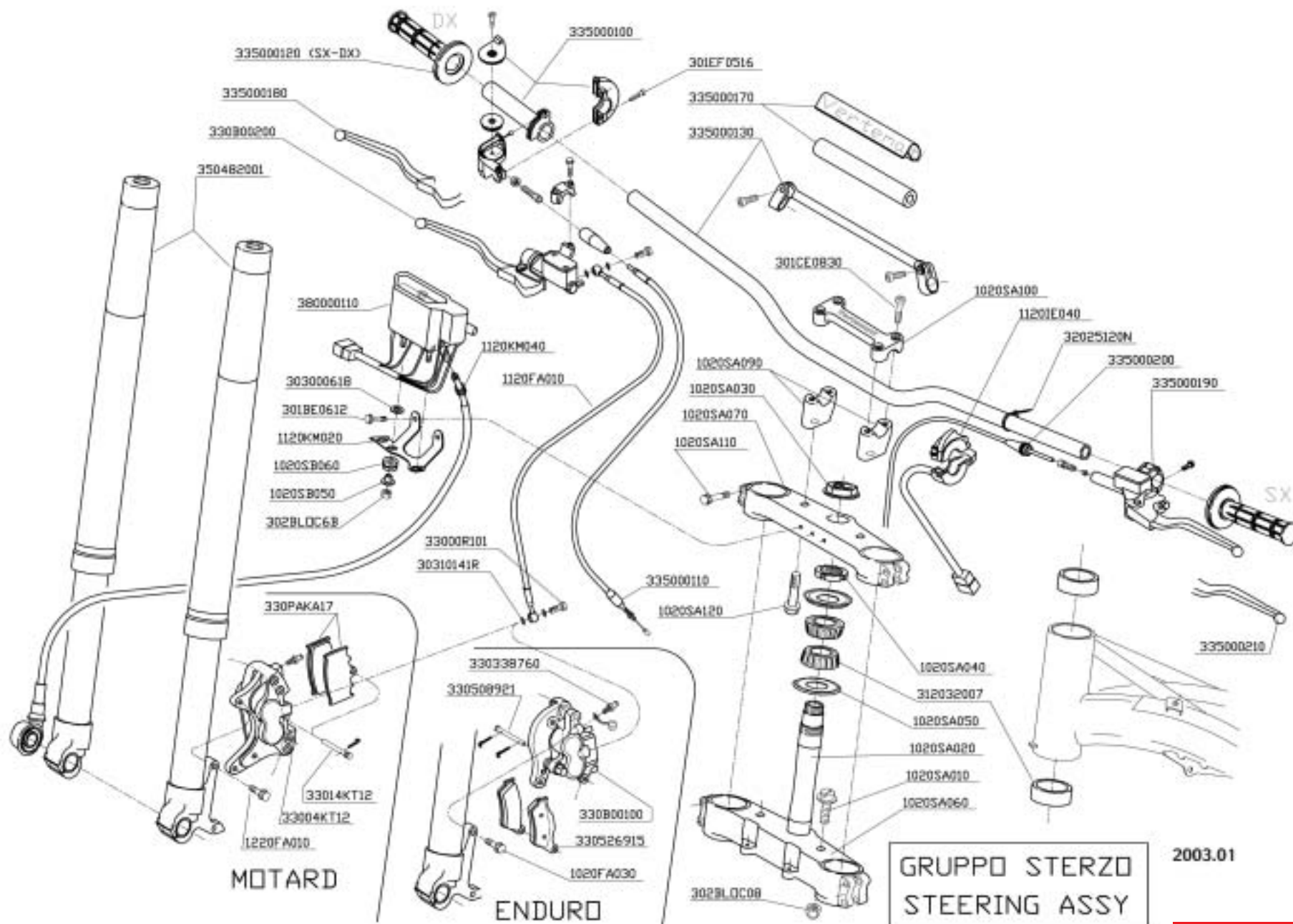
Progr.	Cod.	Quantita	Descrizione	Description	Description	Bezeichnung	Descripción
1	1020RP040	1	PERNO FORC.	PIN	PIVOT	BOLZEN	PERNO HORQUILLA
2	1020SP010	4	BOCCOLA	BUSHING	DOUILLE	BUCHSE	BUJE
3	1020SP020	2	COLLARINO	COLLAR	PETIT COLLIER	SCHELLE	COLLAR
4	1020SP030	2	DISTANZIALE	SPACER	ENTRETOISE	DISTANZ	DISTANCIADOR
5	1020SP040	2	DADO CH. 30	NUT	ECROU	MUTTER	TUERCA
6	1020SP050	9	COLLARINO	COLLAR	PETIT COLLIER	SCHELLE	COLLAR
7	1020SP060	3	DISTANZIALE	SPACER	ENTRETOISE	DISTANZ	DISTANCIADOR
8	1020SP070	1	FORCELLONE	REAR FORK	BRAS OSCILLANT	SCHWINGE	HORQUILLA OSCILANTE
9	1020SP090	1	PATTINO	SWINGARM PLATE	PATIN DE FOURCHE	GABELGLEITBACKE	ZAPATA
10	1020SP110	1	PIASTRINA ESTERNA	PLATE	PLAQUETTE	PLATTCHEN	PLAQUITA EXTERNA
11	1020SP120	1	PIASTRINA INTERNA	PLATE	PLAQUETTE	PLATTCHEN	PLAQUITA INTERNA
12	1020SP130	3	RULLO	POLLER	ROULEAU	ROLLE	TAMBOR
13	1020SP140	1	VITE T.E.F. M10x46	SCREW	VIS	SCHRAUBE	TORNILLO
14	1020SP150	2	VITE T.E.F. M8x45	SCREW	VIS	SCHRAUBE	TORNILLO
15	1020SP160	2	PATTINO	CHAIN GUARD	PATIN DE CHAINE	NETTENGLEITBACKE	ZAPATA
16	1020SP170	1	VITE FERMO PINZA	SCREW	VIS	SCHRAUBE	TORNILLO AFIANZADOR PINZA
17	10SOSP180	2	VITE TIRACAT. M8	SCREW	VIS	SCHRAUBE	TORNILLO TENSA-CADENA
18	1220SP010		SUPPORTO GUIDAC.	CHAIN GUARD SUPPORT	SUPPORT GUIDE CHAINE	KETTENFUHR HALTER	APOYO GUÍA CADENA
19	1220SP020	1	DISTANZ. BASSO	SPACER	ENTRETOISE	DISTANZ	DISTANCIADOR BAJO
20	1220SP030	2	PIASTRA GUIDACATENA	CHAIN GUIDE PLATE	PLAQUE GUIDE CHAIN	PATTE KETTENFUHR	PLACA GUÍA CADENA
21	1220SP040	2	PATTINO GUIDACATENA	CHAIN GUIDE SHOE	PATIN GUIDE CHAIN	KETTENFUHR	ZAPATA GUÍA CADENA
22	1220SP050	1	VITE T.S.P.I. M8x50	SCREW	VIS	SCHRAUBE	TORNILLO
23	1220SP060	1	DISTANZIALE	SPACER	ENTRETOISE	DISTANZ	DISTANCIADOR
24	1220SP080	1	FORCELLONE	REAR FORK	FOURCHE AR.	HINTERE GABEL VOLLST	HORQUILLA OSCILANTE
25	1220SP120	1	DIST. ALTO	SPACER	ENTRETOISE	DISTANZ	DISTANCIADOR ALTO
26	301BE0058	2	VITE T.B.E.I. M5x8	SCREW	VIS	SCHRAUBE	TORNILLO
27	301EF0612	1	VITE T.E.F. M6x12	SCREW	VIS	SCHRAUBE	TORNILLO
28	301EF0640	2	VITE T.E.F. M6x40	SCREW	VIS	SCHRAUBE	TORNILLO
29	301EF0645	3	VITE T.E.F. M6x45	SCREW	VIS	SCHRAUBE	TORNILLO
30	301SP0825	2	VITE T.S.P.E.I. M8x25	SCREW	VIS	SCHRAUBE	TORNILLO
31	302BLOC06	3	DADO M6	NUT	ECROU	MUTTER	TUERCA
32	302BLOC6B	4	DADO M6	NUT	ECROU	MUTTER	TUERCA
33	302BLOC08	2	DADO M8	NUT	ECROU	MUTTER	TUERCA
34	302BLO10A	1	DADO M10	NUT	ECROU	MUTTER	TUERCA
35	303000612	3	RONDELLA	WASHER	RONDELLE	SCHEIBE	ARANDELA
36	303001020	1	RONDELLA	WASHER	RONDELLE	SCHEIBE	ARANDELA
37	309004025	1	MOLLA A TAZZA	SPRING	RESORT DE RAPPEL	RUCKHOLFEDER	MUELLE A TAZA
38	313303415	4	BOCCOLA	BUSHING	DOUILLE	BUCHSE	BUJE
39	31403087N	4	ANELLO OR	O-RING	JOINT TORIQUE	O-RING	ANILLO OR
40	3200CCH50	1	FASC. FERMATUBO	CLAMP	BANDE	SCHELLE	ARO SUJETA TUBO
41	351002001	1	AMMORTIZZATORE	SHOCKABSORBER	AMORTISSEUR	STOSSDAMPFER	AMORTIZADOR
42	1020SP190	1	GUIDACATENA COMPLETO	CHAINE GUIDE ASSY	GUIDE CHAIN COMPLET	KETTENFUHR KOMPLETT	GUÍA CADENA COMPLETA
43	1020SP200	1	PATTINO COMPLETO	PLATE ASSY	PATIN COMPLET	GLEITBLOCK KOMPLETT	ZAPATA COMPLETA
44	1220SP070	1	GUIDACATENA COMPLETO	CHAINE GUIDE ASSY	GUIDE CHAIN COMPLET	KETTENFUHR KOMPLET	GUÍA CADENA COMPLETA



Progr.	Cod.	Quantita	Descrizione	Description	Description	Bezeichnung	Descripción
1	1020FA020	1	TUBO FRENO	FRONT BRAKE HOSE	TUYAU FREIN	BREMSLEITUNG	TUBO FRENO
2	1020FA030	2	VITE T.E.F. M8x35	SCREW	VIS	SCHRAUBE	TORNILLO
3	1020SA010	2	BATTUTA STERZO	SCREW	VIS	SCHRAUBE	TORNILLO DIRECCIÓN
4	1020SA020	1	CANNOTTO ERGAL	STEERING COLUMN	TUBE	GABEL FUHRUNG	MANGUITO
5	1020SA030	1	DADO	NUT	ECROU	MUTTER	TUERCA
6	1020SA040	1	GHIERA STERZO	NUT	ECROU	NUTMUTTERN	ABRAZADERA DIRECCIÓN
7	1020SA050	2	PARAPOLVERE	DUST COVER	PARE-POUSSIÈRE	STAUBDECKEL	GUARDAPOLVO
8	1020SA060	1	PIASTRA INFERIORE	BOTTOM PLATE	PLAQUE INF.	UNTERER PLATE	PLACA INFERIOR
9	1020SA070	1	PIASTRA SUPERIORE	TOP PLATE	PLAQUE SUP.	OBERER PLATE	PLACA SUPERIOR
10	1020SA090	2	SUPPORTO INF.	BOTTOM BRACKET	CROCHET INF	OBERER HALTER	APOYO INFERIOR
11	1020SA100	1	SUPPORTO SUP.	TOP BRACKET	CROCHET SUP	UNTERER HALER	APOYO SUPERIOR
12	1020SA110	8	VITE T.E.F. M8x42	SCREW	VIS	SCHRAUBE	TORNILLO
13	1020SA120	2	VITE T.E.F. M12x43	SCREW	VIS	SCHRAUBE	TORNILLO
14	301CE0830	4	VITE T.C.E.I. M8x30	SCREW	VIS	SCHRAUBE	TORNILLO
15	301EF0516	2	VITE T.E.F. M5x16	SCREW	VIS	SCHRAUBE	TORNILLO
16	302BLOC08	2	DADO M8	NUT	ECROU	MUTTER	TUERCA
17	30310141R	4	RONDELLA	WASHER	RONDELLE	SCHEIBE	ARANDELA
18	312032007	2	CUSCINETTO	BEARING	ROULEMENT	LAGER	COJINETE
19	32025120N	3	FASCETTA	CLAMP	BANDE	STREIFEN	ABRAZADERA
20	330B00100	1	PINZA ANTERIORE	FRONT BRAKE	ETRIER FREIN	VORD BREMSSELTEL	PINZA ANTERIOR
21	330B00200	1	POMPA FRENO	BRAKE PUMP	POMPE FREIN	BREMSPUMPE	BOMBA FRENO
22	33000R101	2	BULLONE	SCREW	VIS	SCHRAUBE	BULÓN
23	330338760	1	VITE SPURGO	CAP AND DRAIN SCREW	CAPUCHON ET VIDANGE	KAPPE UND ENTLUFTUNG	TORNILLO PURGA
24	330508921	1	PERNO	PIN	ERGOT	STIFT	PERNO
25	330526915	1	COPIA PASTIGLIE	PADS (2 OFF)	PAIRE PLAQUETES	BREMSBELAGPAAR	PAR DE PASTILLAS
26	335000100	1	COMANDO GAS	ACCELERATOR CONTROL	COMMANDE GAZ	STEUERUNG GAS	MANDO GAS
27	335000110	1	CAVO GAS	CABLE	CABLE COMANDE GAZ	GASZUG	CABLE GAS
28	335000120	1	MANOPOLE	KNOB	POIGNÉE	GRIFF	EMPUNADURAS
29	335000140	1	MANUBRIO	HANDLEBAR	GUIDON	LENKER	MANILLAR
30	335000160		POMPA FRIZIONE	CLUTCH PUMPE	POMPE EMBRAYAGE	PUMPE	BOMBA EMBRAGÜE
31	335000170	1	PARACOLPI	PROTECTION	PROTECTION	SCHUTZ	AMORTIGUADORES
32	335000180	1	LEVA FRENO	BRAKE LEVER	LEVIER FREIN	VORD. HEBEL	PALANCA FRENO
33	335000190	1	POMPA FRIZIONE	CLUTCH PUMP	POMPE EMBRAYAGE	KUPPLUNGS PUMPE	BOMBA EMBRAGÜE
34	335000200	1	TUBO FRIZIONE	CLUTCH HOSE	TUYAU DE L'HUILE	OLROHR	TUBO EMBRAGÜE
35	335000210	1	LEVA FRIZIONE	CLUTCH LEVER	MANETTE EMBRAYAGE	KUPPLUNGSHEBEL	PALANCA EMBRAGÜE
36	350482001	1	COPPIA STELI	STRUTS	TIGES	GABELBEIN	PAR DE BARRAS
37	370000140	1	INTERRUTTORE	LIGHT SWITCH	INTERRUPTER	BREMS SCHALTER	INTERRUPTOR

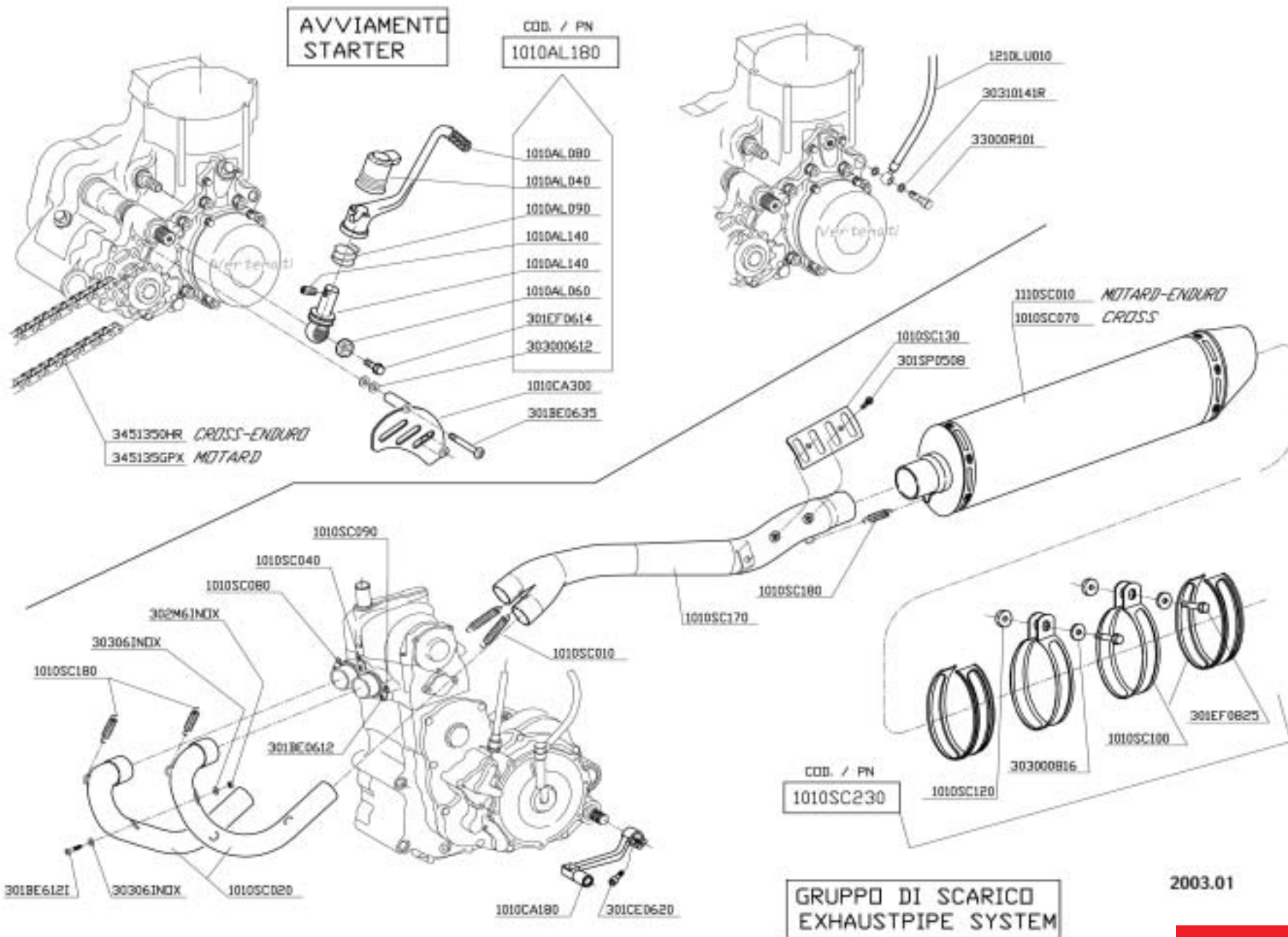


Progr.	Cod.	Quantita	Descrizione	Description	Description	Bezeichnung	Descripción
1	1020FA010	1	TUBO FRENO	FRONT BRAKE HOSE	TUYAU FREIN	BREMSLEITUNG	TUBO FRENO
2	1020FA030	2	VITE T.E.F. M8x35	SCREW	VIS	SCHRAUBE	TORNILLO
3	1020SA010	2	BATTUTA STERZO	SCREW	VIS	SCHRAUBE	TORNILLO DIRECCIÓN
4	1020SA020	1	CANNOTTO ERGAL	STEERING COLUMN	TUBE	GABEL FUHRUNGS	MANGUITO
5	1020SA030	1	DADO	NUT	ECROU	MUTTER	TUERCA
6	1020SA040	1	GHIERA STERZO	NUT	ECROU	NUTMUTTER	ABRAZADERA DIRECCIÓN
7	1020SA050	2	PARAPOLVERE	DUST COVER	PARE- POUSSIÈRE	STAUBDECKEL	GUARDAPOLVOS
8	1020SA060	1	PIASTRA INFERIORE	BOTTOM PLATE	PLAQUE INF.	UNTERER PLATE	PLACA INFERIOR
9	1020SA070	1	PIASTRA SUPERIORE	TOP PLATE	PLAQUE SUP.	OBERER PLATE	PLACA SUPERIOR
10	1020SA090	2	SUPPORTO INF.	BOTTOM BRACKET	CROCHET INF	OBERER HALTER	APOYO INFERIOR
11	1020SA100	1	SUPPORTO SUP.	TOP BRACKET	CROCHET SUP	UNTERER HALER	APOYO SUPERIOR
12	1020SA110	8	VITE T.E.F. M8x42	SCREW	VIS	SCHRAUBE	TORNILLO
13	1020SA120	2	VITE T.E.F. M12x43	SCREW	VIS	SCHRAUBE	TORNILLO
14	1020SB050	2	DIST. SILENT BLOCK	SILENT BLOCK SPACER	ENTRETOISE SILENT BLOCK	SILENT BLOCK DISTANZ.	DISTANCIADOR
15	1020SB060	2	GOMMINO ANTIVIBR.	SILENT BLOCK RUBBER	CAOUTCHOUC SILENT BLOCK	SILENT BLOCK GUMMI	GOMITA ANTIVIBRACIÓN
16	1020KM020	1	SUPP. CONTA KM.	SPEEDOMETER SUPPORT	PORTE-COMPTEUR	TACHOHALTER	APOYO CUENTAKILÓMETROS
17	1020KM040	1	CAVO RINVIO C.KM	SPEEDOMETER WIRE	CABLE DE COMPTEUR	TACHOWELLE	CABLE TRANSMISIÓN CUENTA KM
18	1120FA010	1	TUBO FRENO ANT.	FRONT BRAKE HOSE	TUYAU FREIN AVANT	VORD. BREMSEROHRE	TUBO FRENO ANTERIOR
19	1220FA010	2	VITE T.E.F. M8x32	SCREW	VIS	SCHRAUBE	TORNILLO
20	301BE0612	2	VITE T.B.E.I. M6x12	SCREW	VIS	SCHRAUBE	TORNILLO
21	301CE0830	4	VITE T.C.E.I. M8x30	SCREW	VIS	SCHRAUBE	TORNILLO
22	301EF0516	2	VITE T.E.F. M5x16	SCREW	VIS	SCHRAUBE	TORNILLO
23	302BLOC6B	2	DADO M6	NUT	ECROU	MUTTER	TUERCA
24	302BLOC08	2	DADO M8	NUT	ECROU	MUTTER	TUERCA
25	303000618	2	RONDELLA	WASHER	RONDELLE	SCHEIBE	ARANDELA
26	30310141R	4	RONDELLA	WASHER	RONDELLE	SCHEIBE	ARANDELA
27	312032007	2	CUSCINETTO	BEARING	ROULEMENT	LAGER	COJINETE
28	32025120N	3	FASCETTA	STRIPES	BANDES	SHELLE	ABRAZADERA
29	330B00100	1	PINZA ANTERIORE	FRONT BRAKE	ETRIER FREIN	VORD BREISSATTEL	PINZA ANTERIOR
30	330B00200	1	POMPA FRENO	BRAKE PUMP	POMPE FREIN	SCHARAUBE	BOMBA FRENO
31	330PAKA17		COPPIA PASTIGLIE	PADS (2 OFF)	PAIRE PLAQUETES	BREMSBELAGEPAAR	PAR DE PASTILLAS
32	33004KT12	1	PINZA ANTERIORE	FRONT BRAKE	ETRIER FREIN	VORD BREMSATTEL	PINZA ANTERIOR
33	33014KT12	1	PERNO	PIN	ERGOT	STIFT	PERNO
34	33000R101	2	BULLONE	SCREW	VIS	SCHRAUBE	BULÓN
35	330338760	1	VITE SPURGO	CAP AND DRAIN SCREW	CAPUCHON ET VIDANGE	KAPPE UND ENTLUFTUNG	TORNILLO PURGA
36	330508921	1	PERNO	PIN	ERGOT	STIFT	PERNO
37	330526915	1	COPPIA PASTIGLIE	PADS (2 OFF)	PAIRE PLAQUETES	BREMSBELAGEPAAR	PAR DE PASTILLAS
38	335000100	1	COMANDO GAS	ACCELERATOR CONTROL	COMMANDE GAZ	STEUERUNG GAS	MANDO GAS
39	335000110	1	CAVO GAS	CABLE	CABLE COMANDE GAZ	KABEL GAS	CABLE GAS
40	335000120	1	MANOPOLE	KNOB	POIGNEE	GRIFT	EMPUÑADURAS
41	335000140	1	MANUBRIO	HANDLEBAR	GUIDON	LENKER	MANILLAR
42	335000160	1	POMPA FRIZIONE	CLUTCH PUMPE	POMPE EMBRAYAGE	KUPPLUNGS PUMPE	BOMBA EMBRAGÜE
43	335000170	1	PARACOLPI	PROTECTION	PROTECTION	SCHUTZ	AMORTIGUADORES
44	335000180	1	LEVA FRENO	FLEX LEVER	LEVIER FREIN	VORD. HEBEL	PALANCA FRENO
45	335000190	1	POMPA FRIZIONE	CLUTCH PUMPE	POMPE EMBRAYAGE	PUMPE	BOMBA EMBRAGÜE
46	335000200	1	TUBO FRIZIONE	CLUTCH HOSE	TUYAU DE L'HUILE	OLROHR	TUBO EMBRAGÜE
47	335000210	1	LEVA FRIZIONE	CLUTCH LEVER	MANETTE EMBRAYAGE	KUPPLUNGSHEBEL	PALANCA EMBRAGÜE
48	350482001	1	COPPIA STELI	STRUTS	TIGES	GABELBEIN	PAR DE BARRAS
49	370000140	1	INTERRUTTORE	LIGHT SWITCH	INTERRUPTER	BREMS-SCHALTER	INTERRUPTOR
50	380000110	1	CRUSCOTTO	SPEEDOMETER	BLOC COMPTEUR	STACHOBLOCK	SALPICADERO

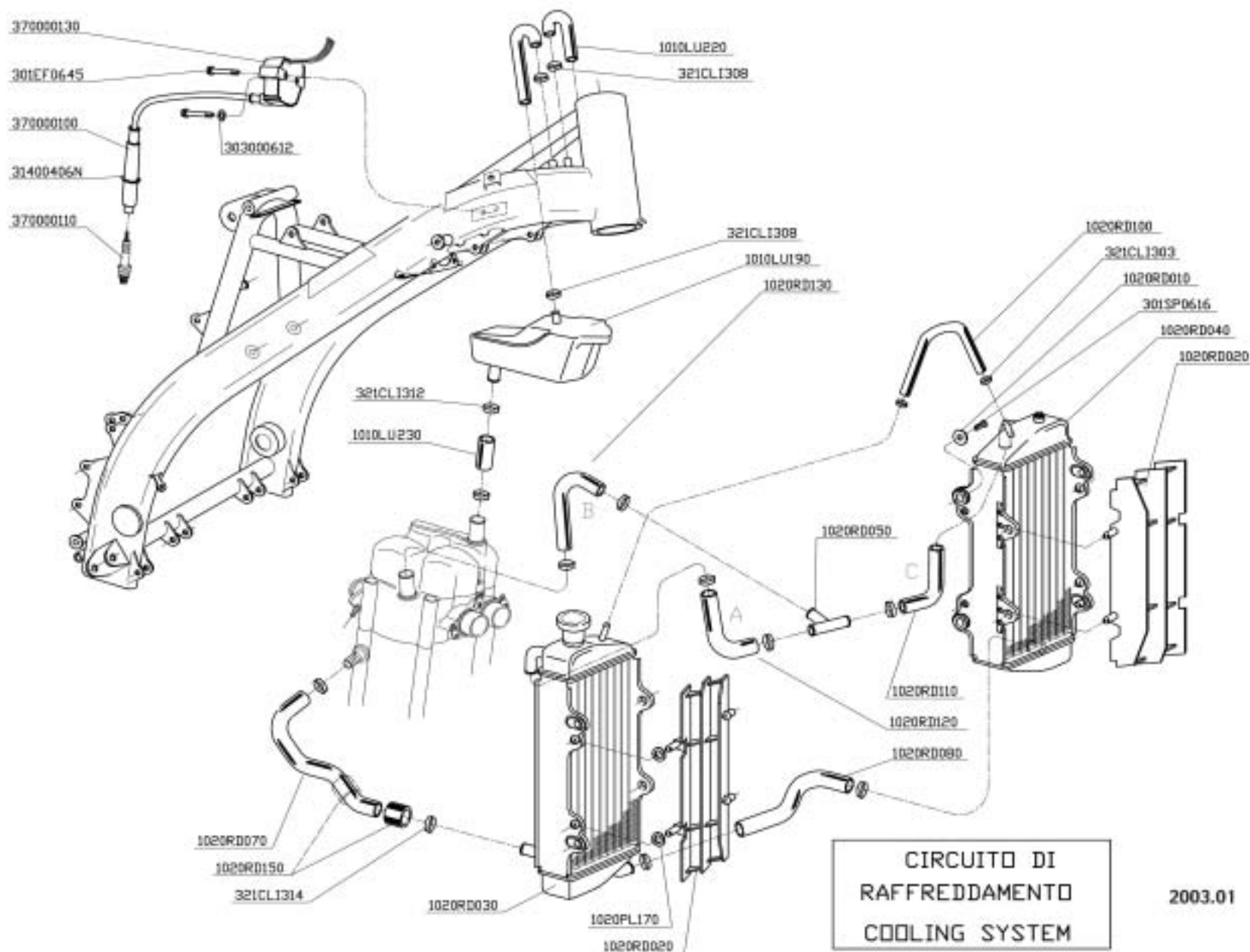


11.01

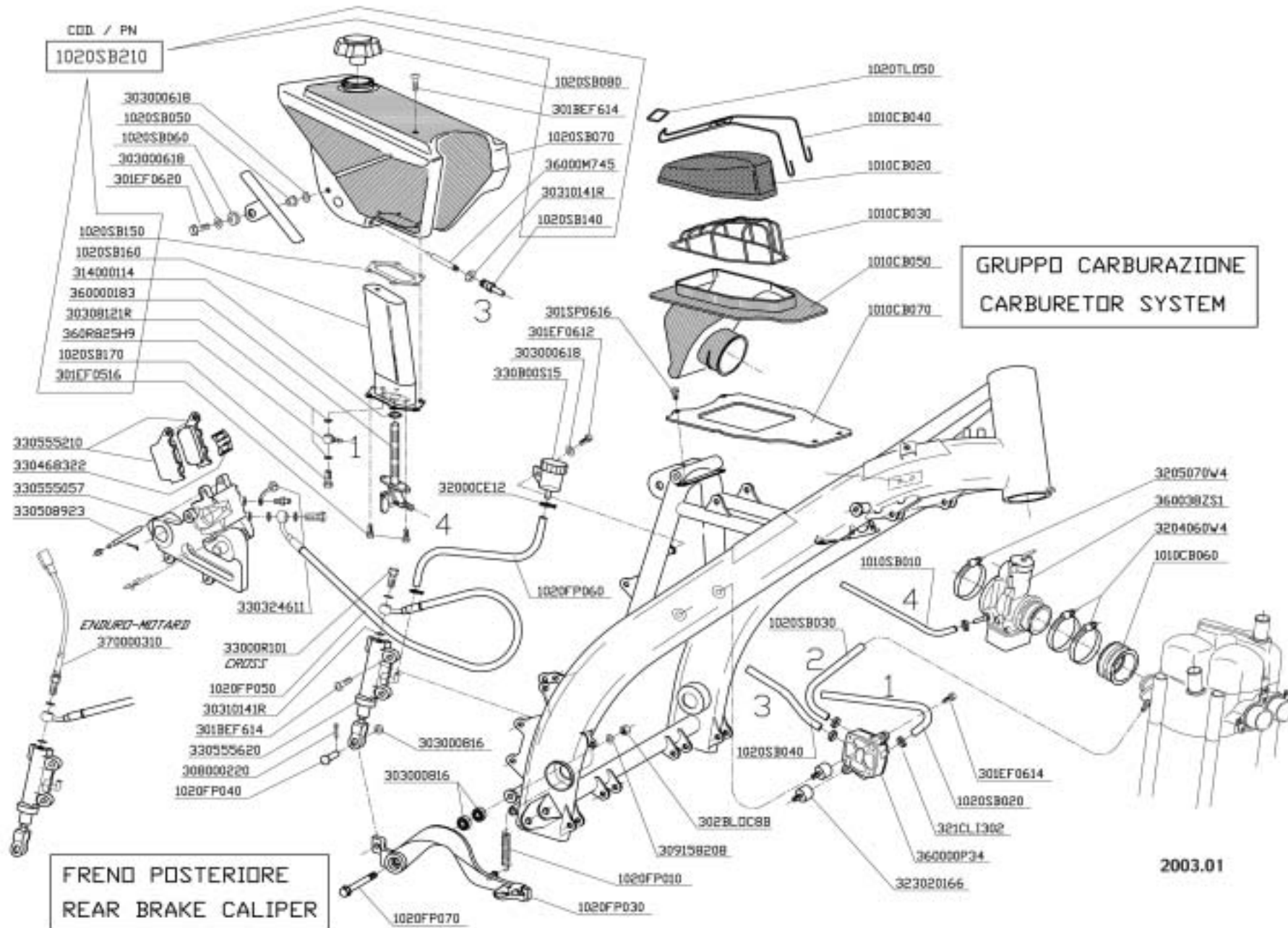
Progr.	Cod.	Quantita	Descrizione	Description	Description	Bezeichnung	Descripción
1	1010AL040	1	PROTEZIONE	GUARD	PROTECTION	SCHUTZ	PROTECCIÓN
2	1010AL060	1	DISTANZIALE	SPACER	ENTRETOISE	DISTANZ	DISTANCIADOR
3	1010AL080	1	LEVA	LEVER	LEVIER	HEBEL	PALANCA
4	1010AL090	1	MOLLA	SPRING	RESSORT DE RAPPEL	RUCKHOLFEDER	MUELLE
5	1010AL120	1	MOZZETTO	JOINT	JOINT	GELENK	CUBO
6	1010AL140	1	NOTTOLINO	PAWL	CLIQUET	KLINKE	PERNO
7	1010CA180	1	LEVA CAMBIO	LEVER	LEVIER	HEBEL	PALANCA CAMBIO
8	1010CA300	1	CARTERINO	CHAIN COVER	PROTECTION DE CHAINE	KETTENSCHUTZ	PROTECCIÓN DE CADENA
9	1010SC010	2	MOLLA	SPRING	RESSORT DE RAPPEL	RUCKHOLFEDER	MUELLE
10	1010SC020	1	COLLETTORI	EXHAUST PIPE	POT D'ECHAPPEMENT	AUSPUFF	COLECTORES
11	1010SC040	1	GANCIO	SUPPORT	SUPPORT	HALTERUNG	GANCHO
12	1010SC070	1	TERMINALE	SILENCER	SILENCIEUX	SCHALL DÄMPFER	TERMINAL SILENCIADOR
13	1010SC080	1	GANCIO SX	LEFT SUPPORT	SUPPORT GAUCHE	UNTERER LINKS	GANCHO IZQUIERDO
14	1010SC090	1	GANCIO DX	RIGHT SUPPORT	SUPPORT DROIT	UNTERER RECHTS	GANCHO DERECHO
15	1010SC100	2	STAFFA	BRACKET	SUPPORT	HALTERBUGEL	ABRAZADERA
16	1010SC120	2	DISTANZIALE	SPACER	ENTRETOISE	DISTANZ	DISTANCIADOR
17	1010SC130	1	PROTEZIONE	GUARD	PROTECTION	SCHUTZ	PROTECCIÓN
18	1010SC170	1	TUBO	PIPE	TUYAU	ROHR	TUBO DE ESCAPE
19	1010SC180	3	MOLLA	SPRING	RESSORT DE RAPPEL	RUCKHOLFEDER	MUELLE
20	1010SC200	2	FASCETTE	CLAMPS	BANDES	SHELLEN	ABRAZADERAS
21	1110SC070	1	TERMINALE	SILENCER	SILENCIEUX	SCHALL DÄMPFER	TERMINAL SILENCIADOR
22	1210LU010	1	TUBO OLIO	OIL PIPE	TUYAU DE L'HUILE	OLROHR	TUBO ACEITE
23	301BE0612	3	VITE T.B.E.I. M6x12	SCREW	VIS	SCHRAUBE	TORNILLO
24	301BE0635	2	VITE T.B.E.I. M6x35	SCREW	VIS	SCHRAUBE	TORNILLO
25	301BE612I	1	VITE T.B.E.I. M6x12	SCREW	VIS	SCHRAUBE	TORNILLO
26	301CE0620	1	VITE T.C.E.I. M6x20	SCREW	VIS	SCHRAUBE	TORNILLO
27	301EF0614	1	VITE T.E.F. M6x14	SCREW	VIS	SCHRAUBE	TORNILLO
28	301EF0825	2	VITE T.E.F. M8x25	SCREW	VIS	SCHRAUBE	TORNILLO
29	301SP0508	2	VITE T.S.P.E.I. M5x8	SCREW	VIS	SCHRAUBE	TORNILLO
30	302M6INOX	1	DADO M6	NUT	ECROU	MUTTER	TUERCA
31	303000612	2	RONDELLA	WASHER	RONDELLE	SCHEIBE	ARANDELA
32	30306INOX	2	RONDELLA	WASHER	RONDELLE	SCHEIBE	ARANDELA
33	30310141R	2	RONDELLA	WASHER	RONDELLE	SCHEIBE	ARANDELA
34	33000R101	1	VITE RACCORDO	SCREW	VIS	SCHRAUBE	TORNILLO EMPALME
35	345135GPX	1	CAT. MOTARD	CHAIN COVER	CHAINE	KETTE	CADENA MOTARD
36	3451350HR	1	CATENA CROSS	CHAIN COVER	CHAINE	KETTE	CADENA CROSS
37	1010AL180	1	AVVIAMENTO COMPLETO	STARTER ASSY	DEMARRAGE ROMPLET	ANSLER KOMPLETT	DISPOSITIVO DE ARRANQUE
38	1010SC230	1	FASCETTE COMPLETE	CLAMP ASSY	BANDES	SHELLEN KOMPLETT	ABRAZADERAS COMPLETAS



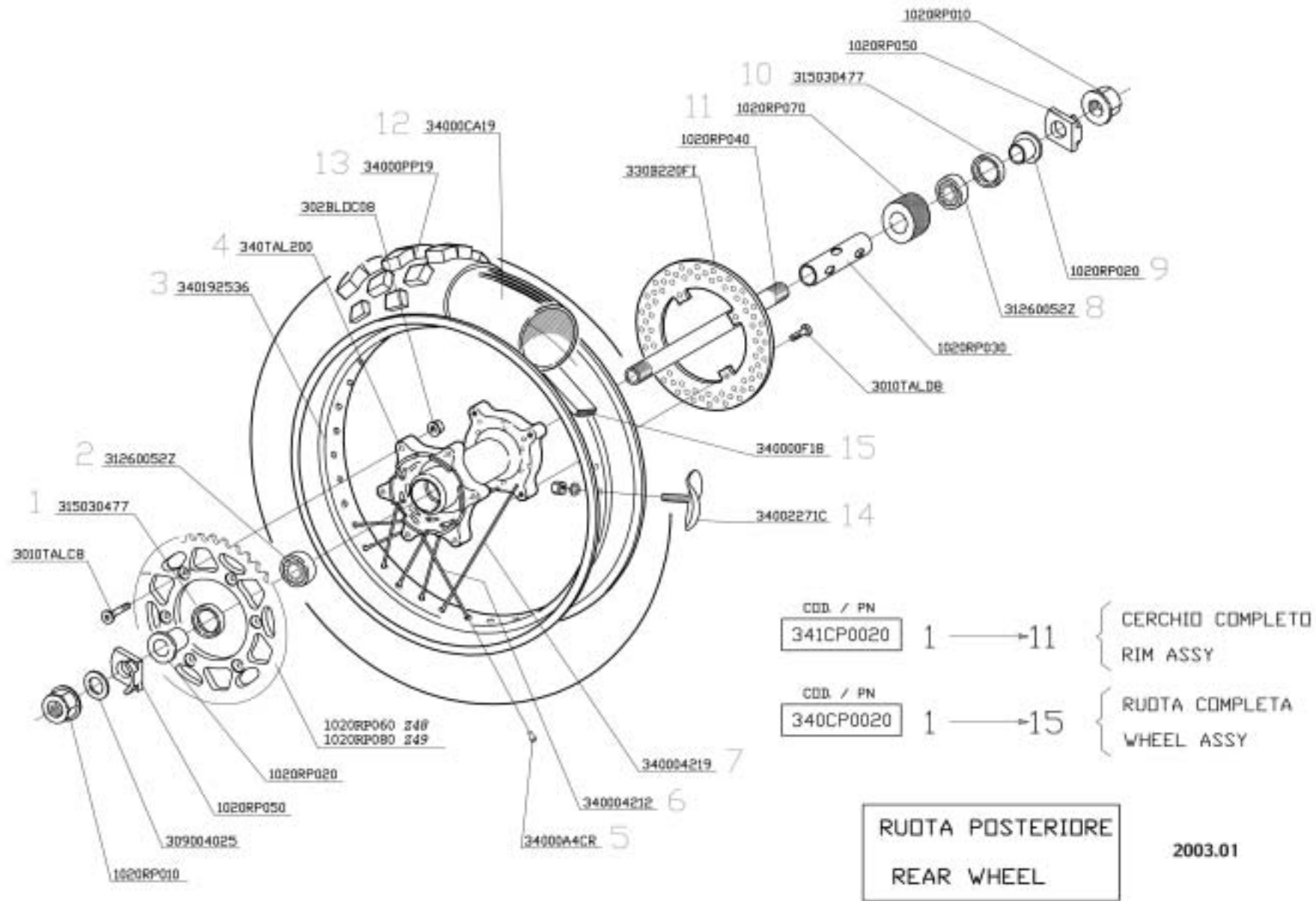
Progr.	Cod.	Quantita	Descrizione	Description	Description	Bezeichnung	Descripción
1	1010LU220	2	TUBO SFIATO	VENT PIPE	TUYAU D'EVENT	ENTLUFTUNGSROHR	TUBO DE VENTILACIÓN
2	1010LU190	1	SERBATOIO OLIO	OLI TANK	RESERVOIR D'HUILE	OELBEHALTER	DEPÓSITO ACEITE
3	1020PL170	4	RONDELLA GOMMA	WASHER	RONDELLE	SCHEIBE	ARANDELA GOMA
4	1020RD010	4	RONDELLA	WASHER	RONDELLE	SCHEIBE	ARANDELA
5	1020RD020	2	PROTEZIONE	PROTECTION	PROTECTION	SCHUTZ	PROTECCIÓN
6	1020RD030	1	RADIATORE DX	RADIATOR LH	RADIATEUR DROIT	WASSERKÜHLER RECHTS	RADIADOR DERECHO
7	1020RD040	1	RADIATORE SX	RADIATOR RH	RADIATEUR GAUCHE	WASSERKÜHLER LINKS	RADIADOR IZQUIERDO
8	1020RD050	1	RACCORDO A "T"	MAINFOLD	RACCORD	VERBINDUNG	EMPALME A "T"
9	1020RD070	1	MANICOTTO 4 CURVE	WATER PIPE	TUYAU DE L'EAU	WASSERROHR	MANGUITO 4 CURVAS
10	1020RD080	1	MANICOTTO A PIPA	WATER PIPE	TUYAU DE L'EAU	WASSERROHR	MANGUITO A PIPA
11	1020RD100	1	TUBO	HOSE	TUYAU	LEITUNG	TUBO
12	1020RD110	1	MANICOTTO TIPO C	WATER PIPE C	TUYAU DE L'EAU C	WASSERROHR C	MANGUITO TIPO C
13	1020RD120	1	MANICOTTO TIPO A	WATER PIPE A	TUYAU DE L'EAU A	WASSERROHR A	MANGUITO TIPO A
14	1020RD130	1	MANICOTTO TIPO B	WATER PIPE B	TUYAU DE L'EAU B	WASSERROHR B	MANGUITO TIPO B
15	1020RD150	1	MANICOTTO	WATER PIPE	TUYAU DE L'EAU	WASSERROHR	MANGUITO
16	1010LU230	1	TUBO	HOSE	TUYAU	LEITUNG	TUBO
17	301EF0645	2	VITE T.E.F. M6x45	SCREW	VIS	SCHRAUBE	TORNILLO
18	301SP0616	4	VITE T.S.P.E.I. M6x16	SCREW	VIS	SCHRAUBE	TORNILLO
19	303000612	2	RONDELLA	WASHER	RONDELLE	SCHEIBE	ARANDELA
20	31400406N	1	ANELLO OR	O-RING	JOINT TORIQUE	O-RING	ANILLO OR
21	321CL1303	2	FASCETTA	CLAMP	COLLIER	SHELLE	ABRAZADERA
22	321CL1308	3	FASCETTA	CLAMP	COLLIER	SHELLE	ABRAZADERA
23	321CL1312	2	FASCETTA	CLAMP	COLLIER	SHELLE	ABRAZADERA
24	321CL1314	10	FASCETTA	CLAMP	COLLIER	SHELLE	ABRAZADERA
25	370000100	1	ATTACCO CANDELA	SPARK PLUG SLEEVE	PIPETTE DE BOUGE	KERZENPIPETTE	EMPALME BUJÍA
26	370000110	1	CANDELA	SPARK PLUG	BOUGIE D'ALLUMAGE	ZUNDKERZEN	BUJÍA
27	370000130	1	CENTRALINA ACC.	START CONTROL UNIT	CENTRALE DE CONTROLE	ZUNDSPULE	CENTRALITA CONTROL



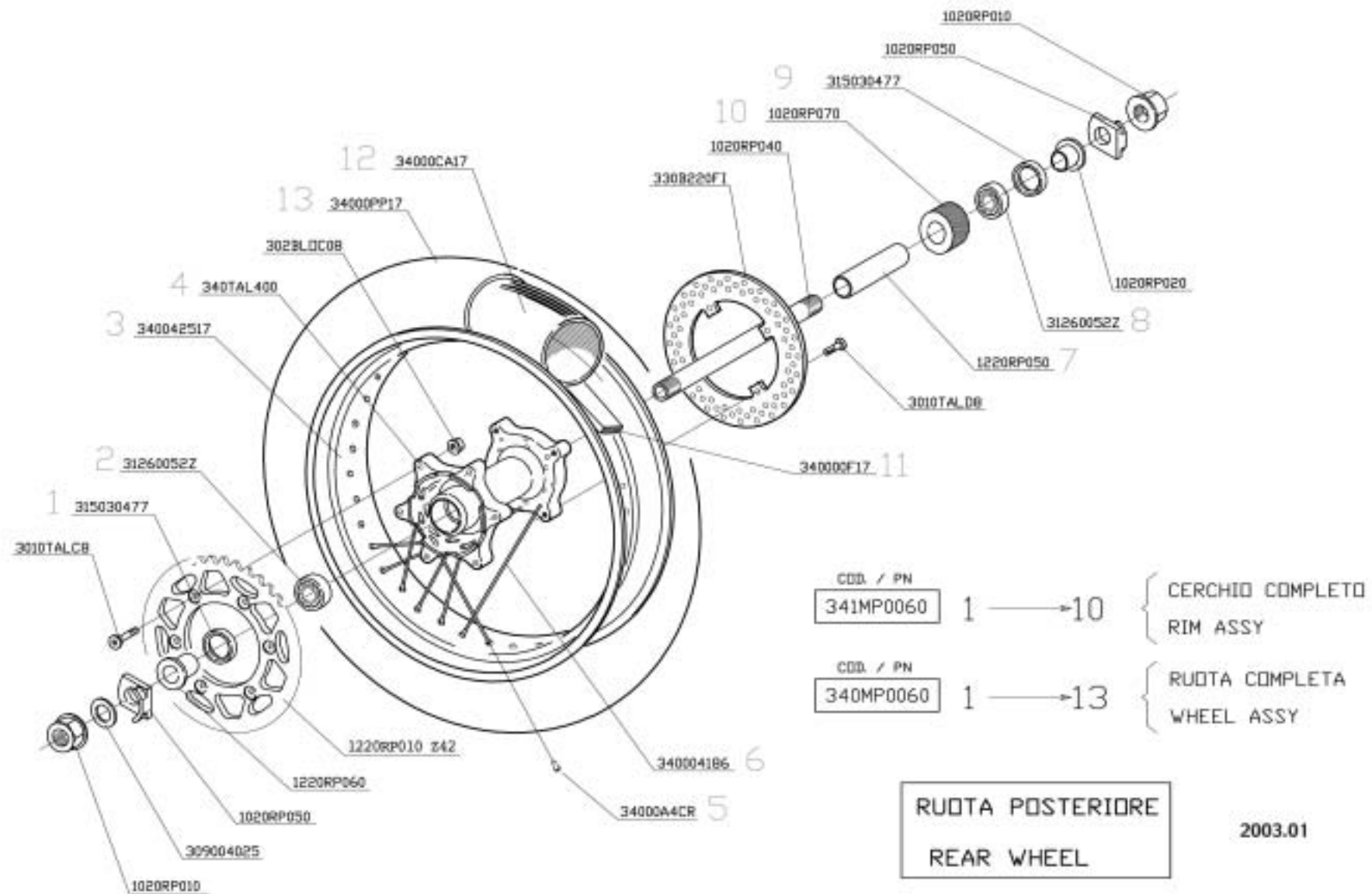
Progr.	Cod.	Quantita	Descrizione	Description	Description	Bezeichnung	Descripción
1	1010CB020	1	FILTRO ARIA	AIR CLEANER	FILTRE A AIR	LUFTFILTER	FILTRO AIRE
2	1010CB030	1	GABBIA FILTRO	BASKET	SUPPORT DU FILTRE	KORB	JAULA FILTRO
3	1010CB040	1	PREMIFILTRO	PUSH FRAME	ATTACHE DU FILTRE A AIR	FILTERHALTER	COMPRIME FILTRO DEL ARIA
4	1010CB050	1	MANICOTTO	RUBBER COUPLING	MANCHON	MUFFE ZWISCHEN	MANGUITO
5	1010CB060	1	MANICOTTO	RUBBER COUPLING	MANCHON	MUFFE ZWISCHEN	MANGUITO
6	1010CB070	1	SUPPORTO FILTRO	FILTER BRACKET	CROCHET FILTRE	OBERER FILTER	APOYO FILTRO
7	1020FP010	1	MOLLA	SPRING	RESSORT DE RAPPEL	RUCKHOLFEDER	MUELLE
8	1020FP030	1	PEDALE FRENO	BRAKE LEVER	LEVIER DU FREIN	BREMSEHEBEL	PEDAL FRENO
9	1020FP040	1	PERNO	PIN	ERGOT	STIFT	PERNO
10	1020FP050	1	TUBO	PIPE	TUYAU	ROHR	TUBO
11	1020FP060	1	TUBO	PIPE	TUYAU	ROHR	TUBO
12	1020FP070	1	VITE T.E.F. M8x60	SCREW	VIS	SCHRAUBE	TORNILLO
13	1020SB010	1	TUBO	PIPE	TUYAU	ROHR	TUBO
14	1020SB020	1	TUBO	PIPE	TUYAU	ROHR	TUBO
15	1020SB030	1	TUBO	PIPE	TUYAU	ROHR	TUBO
16	1020SB040	4	TUBO	PIPE	TUYAU	ROHR	TUBO
17	1020SB070	1	SERBATOIO	FUEL TANK	RESERVOIR CARBURANT	KRAFTSTOFFBEHALTER	DEPÓSITO
18	1020SB080	1	TAPPO	CAP	BOUCHON	DECKEL	TAPÓN
19	1020SB140	1	RACCORDO	MAINFOLD	RACCORD	VERBINDUNG	EMPALME
20	1020SB150	1	GUARNIZIONE	GASKET	JOINT	DICHTUNG	GUARNICIÓN
21	1020SB160	1	FLANGIA	REAR PLATE	CUVETTE	TELLER	ARANDELA
22	1020SB170	1	BULLONE	SCREW	VIS	SCHRAUBE	BULÓN
23	1020TL050	1	GANCIO	SUPPORT	SUPPORT	HALTERUNG	GANCHO
24	301EF0516	8	VITE T.E.F. M5x16	SCREW	VIS	SCHRAUBE	TORNILLO
25	301EF0612	3	VITE T.E.F. M6x12	SCREW	VIS	SCHRAUBE	TORNILLO
26	301BEF614	3	VITE T.B.E.I.F.M6x14	SCREW	VIS	SCHRAUBE	TORNILLO
27	301EF0614	2	VITE T.E.F. M6x14	SCREW	VIS	SCHRAUBE	TORNILLO
28	301EF0625	3	VITE T.E.F. M6x25	SCREW	VIS	SCHRAUBE	TORNILLO
29	301SP0616	4	VITE T.S.P.E.I.M6x16	SCREW	VIS	SCHRAUBE	TORNILLO
30	303000816	2	RONDELLA	WASHER	RONDELLE	SCHEIBE	ARANDELA
31	30308121A	2	RONDELLA	WASHER	RONDELLE	SCHEIBE	ARANDELA
32	30310141R	4	RONDELLA	WASHER	RONDELLE	SCHEIBE	ARANDELA
33	308000220	1	COPPIGLIA	SPLIT PIN	GOUPILLE	SPLINT	ESPIGA
34	314000114	1	ANELLO OR	O-RING	JOINT TORIQUE	O-RING	ANILLO OR
35	32000CE12	2	FASCETTA	CLAMP	COLLIER	SHELLE	ABRAZADERA
36	3204060W4	2	FASCETTA	CLAMP	COLLIER	SHELLE	ABRAZADERA
37	3205070W4	1	FASCETTA	CLAMP	COLLIER	SHELLE	ABRAZADERA
38	321CL1302	8	FASCETTA	CLAMP	COLLIER	SHELLE	ABRAZADERA
39	323020166	2	ANTIVIBRANTE	DAMPER	SILENT BLOCK	VIBRATIONSGUMMI	ANTIVIBRANTE
40	33000R101	2	BULLONE	SCREW	VIS	SCHRAUBE	BULÓN
41	330324611	1	VITE DI SPURGO	CAP AND DRAIN SCREW	CAPUCHON ET VIDANGE	KAPPE UND ENTLUFTUNG	TORNILLO DE PURGA
42	330468322	1	MOLLA	SPRING	RESSORT DE RAPPEL	RUCKHOLFEDER	MUELLE
43	330508923	1	PERNO	PIN	ERGOT	STIFT	PERNO
44	330555057	1	PINZA FRENO	BRAKE CALIPER	ETRIER FREINE	HINT. BREMSSATTEL	PINZA FRENO
45	330555210	1	COPPIA PASTIGLIE	PADS (2 OFF)	PAIRE PLAQUETTES	BREMSELAPPAAR	PAR DE PASTILLAS
46	330555620	1	POMPA FRENO	BRAKE POMPE	POMPE FREINE	SCHARAUBE	BOMBA FRENO
47	330B00S15	1	SERBATOIO OLIO	OIL TANK	RESERVOIR D'HUILE	HOLBEHALTER	DEPÓSITO ACEITE
48	360000183	1	RUBINETTO BENZINA	FUEL TAP	ROBINET	HAHN	TAPÓN GASOLINA
49	360000P34	1	POMPA BENZINA	FUEL PUMPE	POMPE CARBURANT	PUMPE	BOMBA GASOLINA
50	360038ZS1	1	CARBURATORE	CARBURETOR	CARBURATEUR	VERGASER	CARBURADOR
51	360R825H9	1	RACCORDO	MAINFOLD	RACCORD	VERBINDUNG	EMPALME
52	370000310	1	INTERRUTTORE	SWITCH	INTERRUPTEUR	ZUNDSCHALTER	INTERRUPTOR
53	1020SB210	1	SERBATOIO COMPLETO	FUEL TANK ASSY	RESERVOIR COMPLET	KRAFTSTOFFBEHALTER KOMPLETT	DEPÓSITO COMPLETO



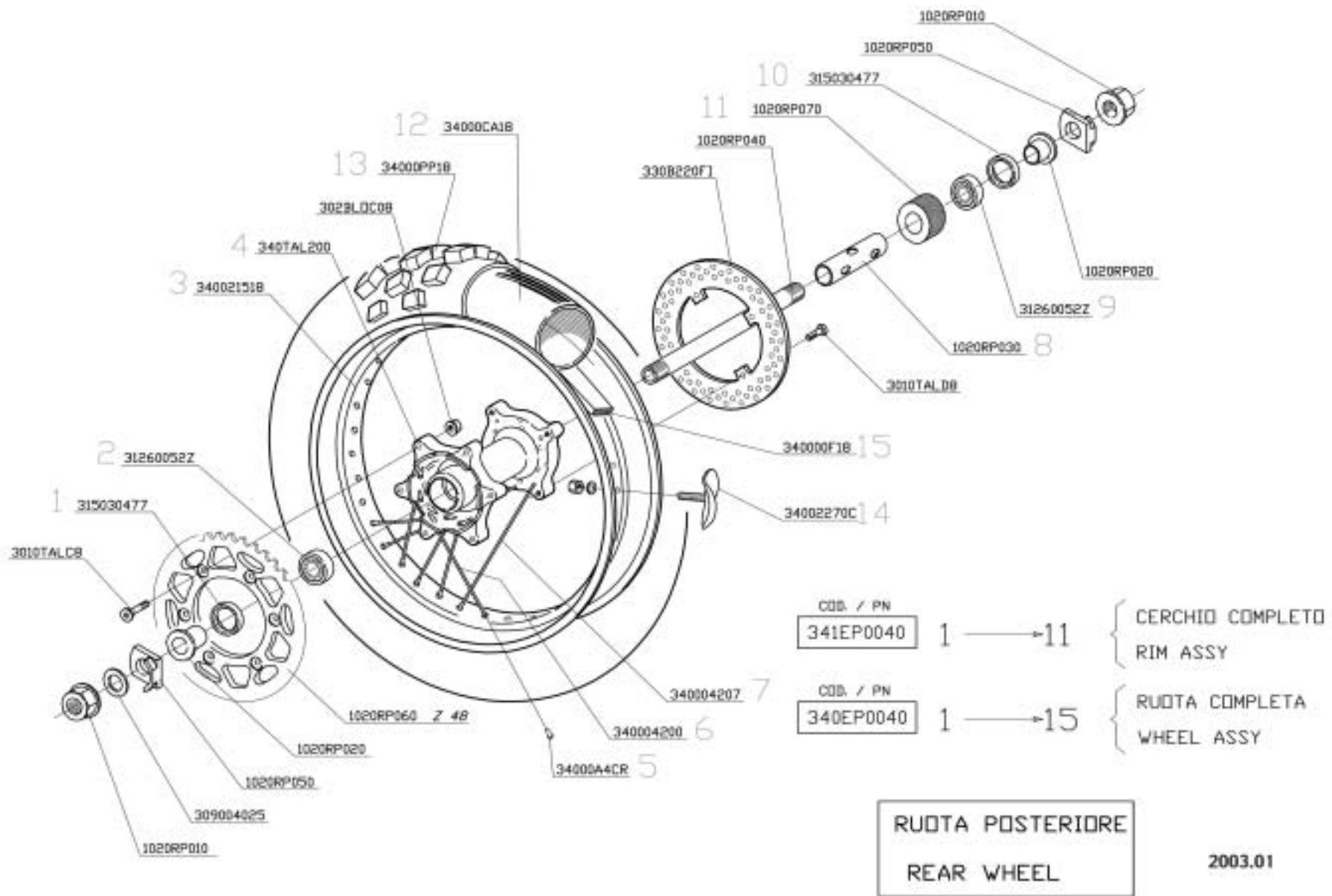
Progr.	Cod.	Quantita	Descrizione	Description	Description	Bezeichnung	Descripción
1	1020RP010	2	DADO CH,32	NUT	ECROU	MUTTER	TUERCA
2	1020RP020	2	DISTANZIALE RUOTE	SPACER	ENTRETOISE	DISTANZ	DISTANCIADOR RUEDAS
3	1020RP030	1	DISTANZIALE	SPACER	ENTRETOISE	DISTANZ	DISTANCIADOR
4	1020RP040	1	PERNO RUOTA	PIN	ERGOT	STIFT	PERNO RUEDA
5	1020RP050	2	TENDICATENA	SKID PLATE	SABOT TENSION CHAINE	KETTENSANNER	SENSOR DE CADENA
6	1020RP070	1	SPUGNA MOZZO	HUB BEARING	BUSELURE CENTRAGE ROUE ARR.	NABENLAGER	ESPONJA CUBO DE LA RUEDA
7	1020RP090	1	CORONA Z48-Z49	RING GEAR	COURONNE	KRANZ	CORONA
8	3010TALC8	6	VITE CORONA	SCREW	VIS	SCHRAUBE	TORNILLO CORONA
9	3010TALD8	4	VITE DISCO	SCREW	VIS	SCHRAUBE	TORNILLO DISCO
10	302BLOC08	6	DADO M8	NUT	ECROU	MUTTER	TUERCA
11	309004025	1	MOLLA A TAZZA	SPRING	RESSORT DE RAPPEL	RUCKHOLFEDER	MUELLE A TAZA
12	312600527	2	CUSCINETTO	BEARING	ROULEMENT	LAGER	COJINETE
13	315030477	2	GUARNIZIONE	SEALING	ETANCHEITE	DICHTUNG	GUARNICIÓN
14	330B220F1	1	DISCO FRENO	BRAKE DISC	DISQUE FREIN	BREMSSCHEIBE	DISCO FRENO
15	340192536	1	CERCHIO	RIM	JANTE	VORDERRAD	LLANTA
16	34000CA19	1	CAMERA	INNER TUBE	CHAMBRE A AIR	SCHLAUCH HINTERRAD	CÁMARA
17	340000F19	1	FLAP POSTERIORE	FLAP	BANDE PROT	FELGEN BAND	ALERÓN POSTERIOR
18	34000PP19	1	PNEUMATICO	TYRE	PNEU	REIFEN	NEUMÁTICO
19	34002271C	2	FERMACOPERTONE	TYRE LOCK	GRIPSTER	REIFENHALTER	CIERRE DE LA RUEDA
20	340004212	18	RAGGI 4 X 212 MM	SPOKE 4x212 MM	RAYON	SPEICHE	RADIOS 4 x 212 MM
21	340004219	18	RAGGI 4 X 219 MM	SPOKE 4x219 MM	RAYON	SPEICHE	RADIOS 4 x 219 MM
22	34000A4CR	36	NIPPLO	SPOKENIPPLE	ECROU	NIPPEL	NIPLE
23	340TAL200	1	MOZZO	HUB	MOYEU	RADNABE	CUBO
24	341CP0020	1	CERCHIO COMPLETO	RIM ASSY	JANTE COMPLET	VORDERRAD KOMPLETT	LLANTA COMPLETA
25	340CP0020	1	RUOTA COMPLETA	REAR WHEEL ASSY	ROUE COMPLETE	RAD KOMPLETT	RUEDA COMPLETA



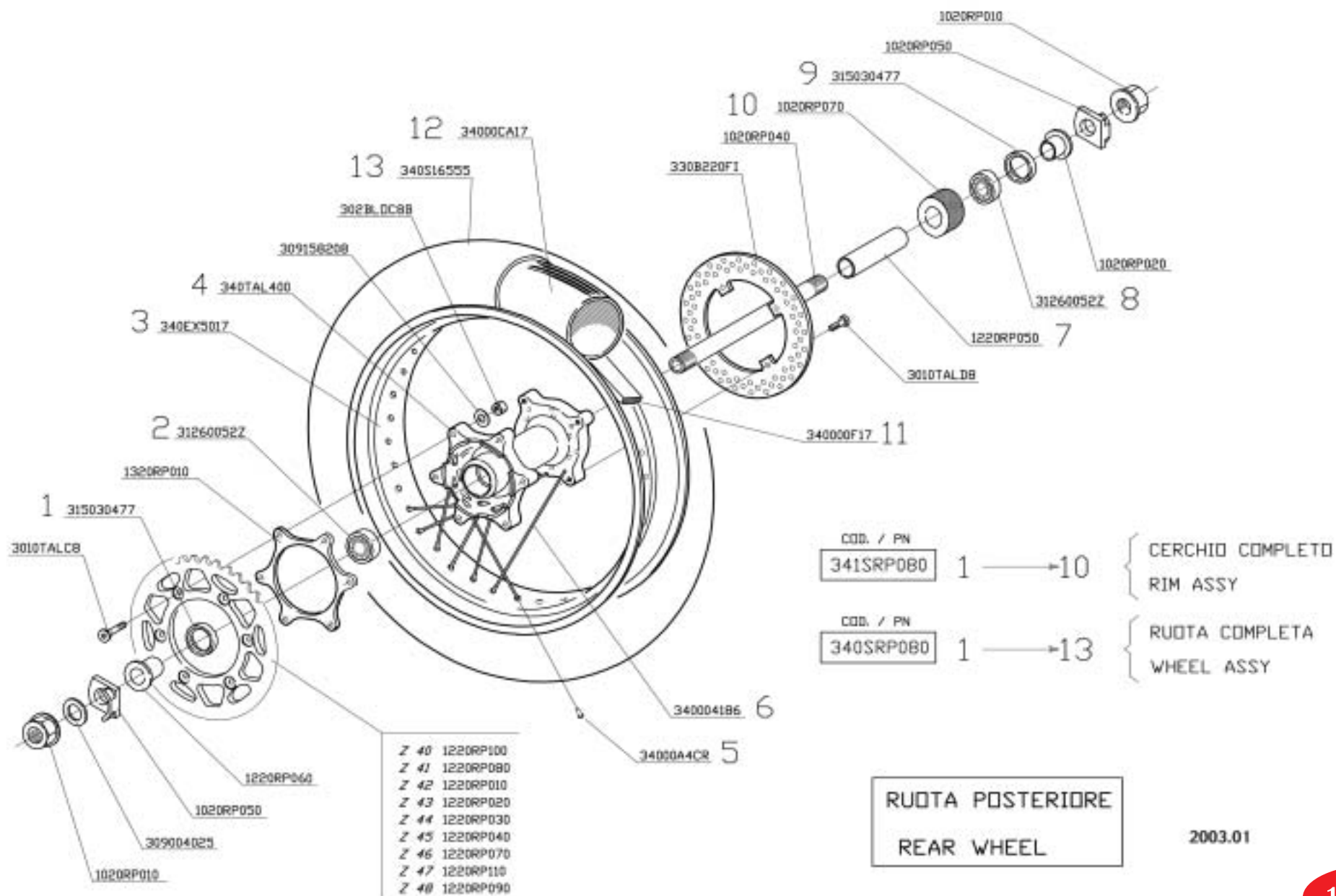
Progr.	Cod.	Quantita	Descrizione	Description	Description	Bezeichnung	Descripción
1	1020RP010	2	DADO CH,32	NUT	ECROU	MUTTER	TUERCA
2	1020RP020	2	DISTANZIALE RUOTE	SPACER	ENTRETOISE	DISTANZ	DISTANCIADOR RUEDAS
3	1020RP040	1	PERNO RUOTA	PIN	ERGOT	STIFT	PERNO RUEDA
4	1020RP050	2	TENDICATENA	SKID PLATE	SABOT TENSION CHAINE	KETTENSANNER	TENSOR DE CADENA
5	1020RP070	1	SPUGNA MOZZO	HUB BEARING	BUSELURE CENTRAGE ROUE ARR.	NABENLAGER	ESPONJA CUBO DE LA RUEDA
6	1220RP010	1	CORONA Z 42	RING GEAR	COURONNE	KRANZ	CORONA
7	1220RP020	1	DISTANZIALE	SPACER	ENTRETOISE	DISTANZ	DISTANCIADOR
8	3010TALC8	6	VITE CORONA	SCREW	VIS	SCHRAUBE	TORNILLO CORONA
9	3010TALD8	4	VITE DISCO	SCREW	VIS	SCHRAUBE	TORNILLO DISCO
10	302BLOC08	6	DADO M8	NUT	ECROU	MUTTER	TUERCA
11	309004025	1	MOLLA A TAZZA	SPRING	RESSORT DE RAPPEL	RUCKHOLFEDER	MUELLE A TAZA
12	312600527	2	CUSCINETTO	BEARING	ROULEMENT	LAGER	COJINETE
13	315030477	2	GUARNIZIONE	SEALING	ETANCHEITE	DICHTUNG	GUARNICIÓN
14	330B220F1	1	DISCO FRENO	BRAKE DISC	DISQUE FREIN	BREMSSCHEIBE	DISCO FRENO
15	340042517	1	CERCHIO	RIM	JANTE	VORDERRAD	LLANTA
16	34000CA17	1	CAMERA	INNER TUBE	CHAMBRE A AIR	SCHLAUCH HINTERRAD	CÁMARA
17	340000F17	1	FLAP POSTERIORE	FLAP	BANDE PROTECTION	FELGEN BAND	ALERÓN POSTERIOR
18	34000PP17	1	PNEUMATICO	TYRE	PNEU	REIFEN	NEUMÁTICO
19	340004186	36	RAGGI 4 X 212 MM	SPOKE 4x212 MM	RAYON	SPEICHE	RADIOS 4 x 212 MM
20	34000A4CR	36	NIPPLO	SPOKENIPPLE	ECROU	NIPPEL	NIPLE
21	340TAL200	1	MOZZO	HUB	MOYEU	RADNABE	CUBO
22	341MP0060	1	CERCHIO COMPLETO	RIM ASSY	JANTE COMPLET	VORDERRAD KOMPLETT	LLANTA COMPLETA
23	340MP0060	1	RUOTA COMPLETA	REAR WHEEL ASSY	ROUE COMPLETE	RAD KOMPLETT	RUEDA COMPLETA



Progr.	Cod.	Quantita	Descrizione	Description	Description	Bezeichnung	Descripción
1	1020RP010	2	DADO CH,32	NUT	ECROU	MUTTER	TUERCA
2	1020RP020	2	DISTANZIALE RUOTE	SPACER	ENTRETOISE	DISTANZ	DISTANCIADOR RUEDAS
3	1020RP030	1	DISTANZIALE	SPACER	ENTRETOISE	DISTANZ	DISTANCIADOR
4	1020RP040	1	PERNO RUOTA	PIN	ERGOT	STIFT	PERNO RUEDA
5	1020RP050	2	TENDICATENA	SKID PLATE	SABOT TENSION CHAINE	KETTENSANNER	TENSOR DE CADENA
6	1020RP060	1	CORONA Z 48	RING GEAR	COURONNE	KRANZ	CORONA
7	1020RP070	1	SPUGNA MOZZO	HUB BEARING	BUSELURE CENTRAGE ROUE ARR.	NABENLAGER	ESPONJA CUBO DE LA RUEDA
8	3010TALC8	6	VITE CORONA	SCREW	VIS	SCHRAUBE	TORNILLO CORONA
9	3010TALD8	4	VITE DISCO	SCREW	VIS	SCHRAUBE	TORNILLO DISCO
10	302BLOC08	6	DADO M8	NUT	ECROU	MUTTER	TUERCA
11	309004025	1	MOLLA A TAZZA	SPRING	RESSORT DE RAPPEL	RUCKHOLFEDER	MUELLE A TAZA
12	312600527	2	CUSCINETTO	BEARING	ROULEMENT	LAGER	COJINETE
13	315030477	2	GUARNIZIONE	SEALING	ETANCHEITE	DICHTUNG	GUARNICIÓN
14	330B220FI	1	DISCO FRENO	BRAKE DISC	DISQUE FREIN	BREMSSCHEIBE	DISCO FRENO
15	340021518	1	CERCHIO	RIM	JANTE	VORDERRAD	LLANTA
16	34002270C	2	FERMACOPERTONE	TYRE LOCK	GRIPSTER	REIFENHALTER	CIERRE DE LA LLANTA
17	340004200	18	RAGGI 4x200 MM	SPOKE 4x200 MM	RAYON	SPEICHE	RADIOS 4 X 200MM
18	340004207	18	RAGGI 4x207 MM	SPOKE 4x207 MM	RAYON	SPEICHE	RADIOS 4 x 207 MM
19	34000CA18	1	CAMERA	INNER TUBE	CHAMBRE A AIR	SCHLAUCH HINTERRAD	CÁMARA
20	340000F19	1	FLAP POSTERIORE	FLAP	BANDE PROT	FELGEN BAND	ALERÓN POSTERIOR
21	34000PP18	1	PNEUMATICO	TYRE	PNEU	REIFEN	NEUMÁTICO
22	34000A4CR	36	NIPPLO	SPOKENIPPLE	ECROU	NIPPEL	NIPLE
23	340TAL200	1	MOZZO	HUB	MOYEU	RADNABE	CUBO
24	341EP0040	1	CERCHIO COMPLETO	RIM ASSY	JANTE COMPLET	VORDERRAD KOMPLETT	LLANTA COMPLETA
25	340EP0040	1	RUOTA COMPLETA	REAR WHEEL ASSY	ROUE COMPLETE	RAD KOMPLETT	RUEDA COMPLETA



Progr.	Cod.	Quantita	Descrizione	Description	Description	Bezeichnung	Descripción
1	1020RP010	2	DADO CH,32	NUT	ECROU	MUTTER	TUERCA
2	1020RP020	2	DISTANZIALE RUOTE	SPACER	ENTRETOISE	DISTANZ	DISTANCIADOR RUEDAS
3	1020RP040	1	PERNO RUOTA	PIN	ERGOT	STIFT	PERNO RUEDA
4	1020RP050	2	TENDICATENA	SKID PLATE	SABOT TENSION CHAINE	KETTENSPAHNNER	TENSOR DE CADENA
5	1020RP070	1	SPUGNA MOZZO	HUB BEARING	BUSELURE CENTRAGE ROUE ARR.	NABENLAGER	ESPONJA CUBO DE LA RUEDA
6	1220RP100	1	CORONA Z 40	RING GEAR	COURONNE	KRANZ	CORONA
7	1220RP020	1	DISTANZIALE	SPACER	ENTRETOISE	DISTANZ	DISTANCIADOR
8	3010TALC8	6	VITE CORONA	SCREW	VIS	SCHRAUBE	TORNILLO CORONA
9	3010TALD8	4	VITE DISCO	SCREW	VIS	SCHRAUBE	TORNILLO DISCO
10	302BLOC08	6	DADO M8	NUT	ECROU	MUTTER	TUERCA
11	309004025	1	MOLLA A TAZZA	SPRING	RESSORT DE RAPPEL	RUCKHOLFEDER	MUELLE A TAZA
12	312600527	2	CUSCINETTO	BEARING	ROULEMENT	LAGER	COJINETE
13	315030477	2	GUARNIZIONE	SEALING	ETANCHEITE	DICHTUNG	GUARNICIÓN
14	330B220F1	1	DISCO FRENO	BRAKE DISC	DISK FREIN	BREMSSCHEIBE	DISCO FRENO
15	340EX5017	1	CERCHIO	RIM	JANTE	VORDERRAD	LLANTA
16	34000CA17	1	CAMERA	INNERTUBE	CHAMBRE A AIR	SCHLAUCH HINTERRAD	CÁMARA
17	340000F17	1	FLAP POSTERIORE	FLAP	BANDE PROTECTION	FELGEN BAND	ALERÓN POSTERIOR
18	340SI6555	1	PNEUMATICO	TYRE	PNEU	REIFEN	NEUMÁTICO
19	340004186	36	RAGGI 4 X 212 MM	SPOKE 4x212 MM	RAYON	SPEICHE	RADIOS 4 x 212 MM
20	34000A4CR	36	NIPPLO	SPOKENIPPLE	ECROU	NIPPEL	NIPLE
21	340TAL200	1	MOZZO	HUB	MOYEU	RADNABE	CUBO
22	341SRP080	1	CERCHIO COMPLETO	RIM ASSY	JANTE COMPLET	VORDERRAD KOMPLETT	LLANTA COMPLETA
23	340SRP080	1	RUOTA COMPLETA	REAR WHEEL ASSY	ROUE COMPLETE	RAD KOMPLETT	RUEDA COMPLETA

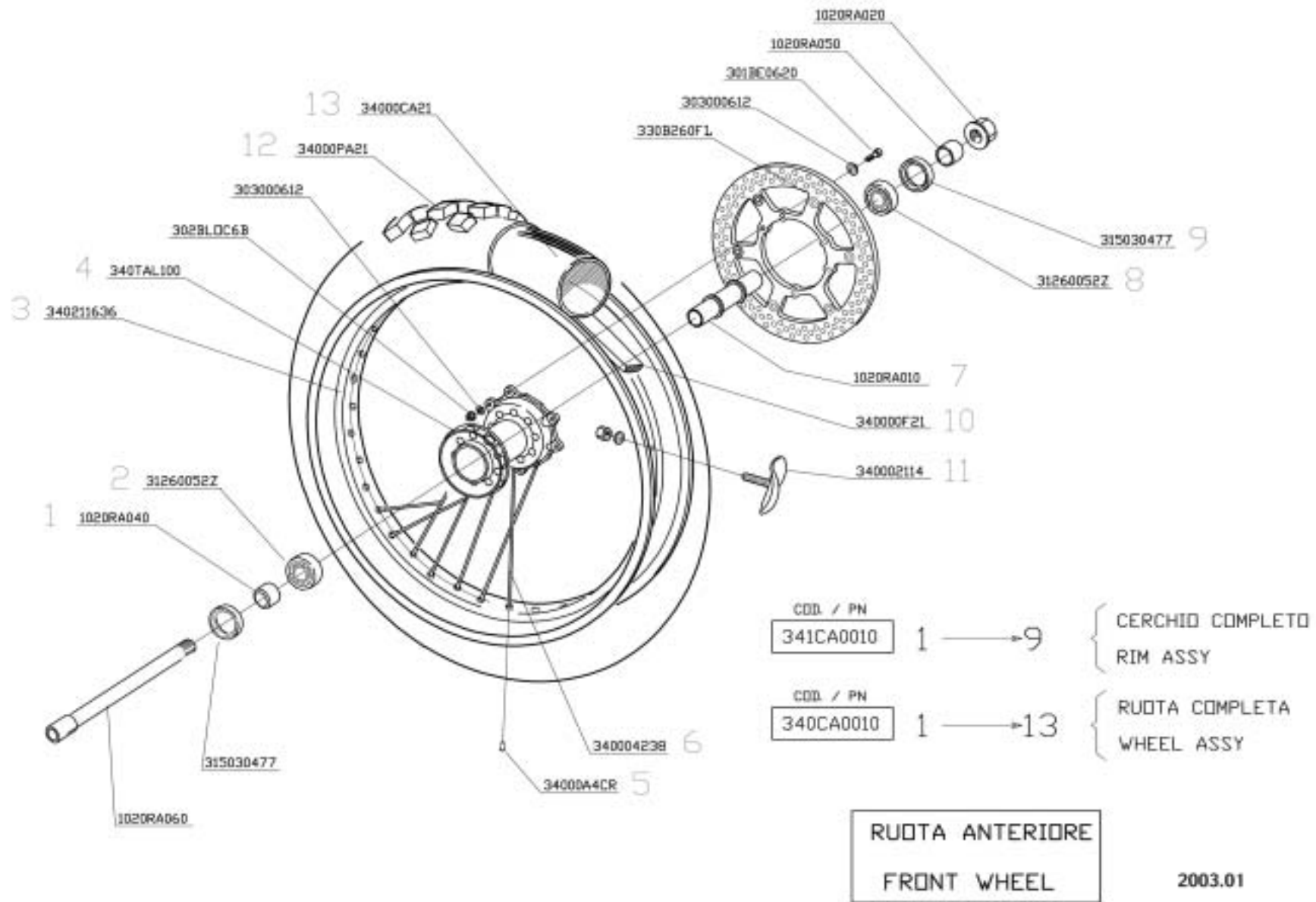


RUOTA POSTERIORE
 REAR WHEEL

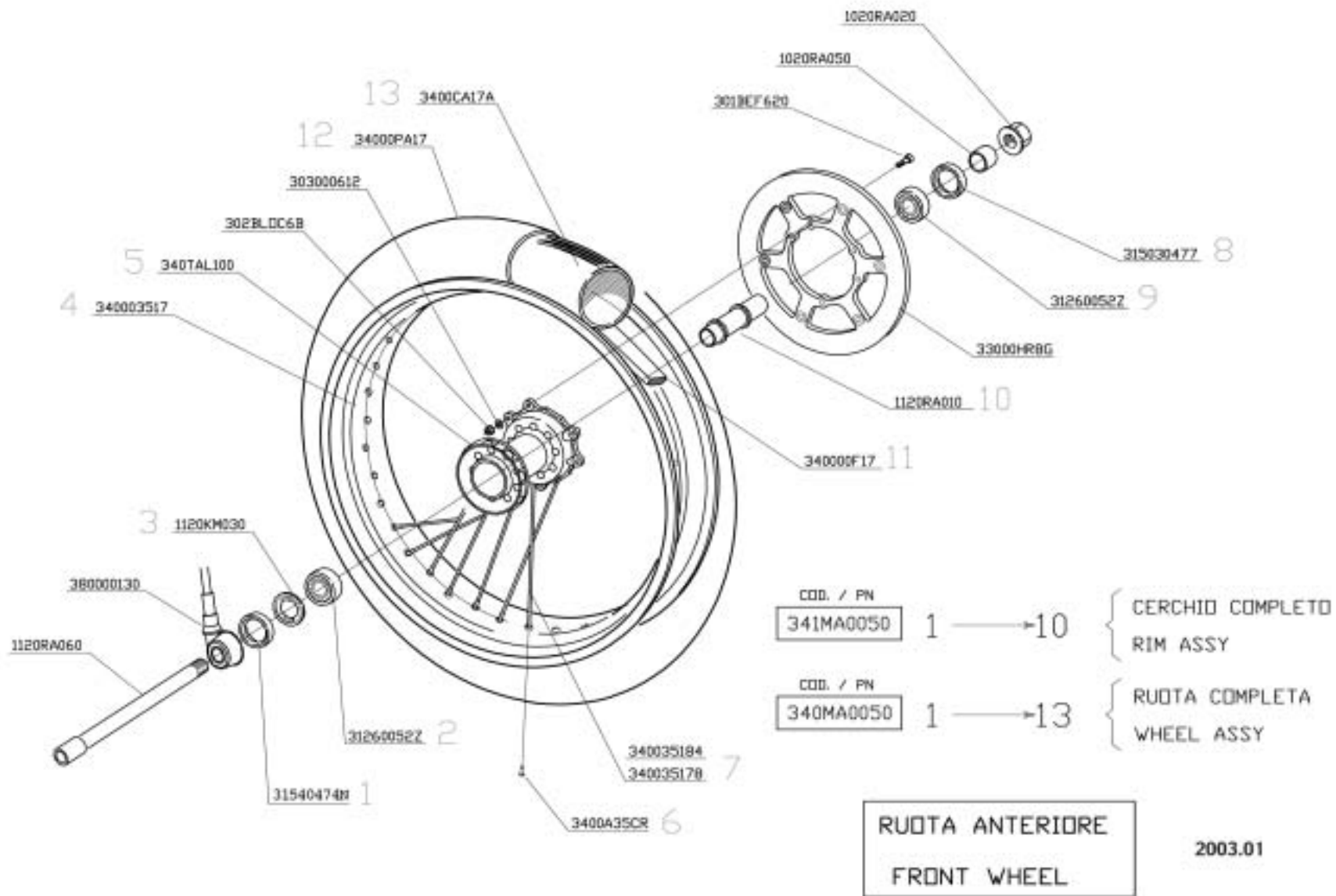
2003.01

15.03

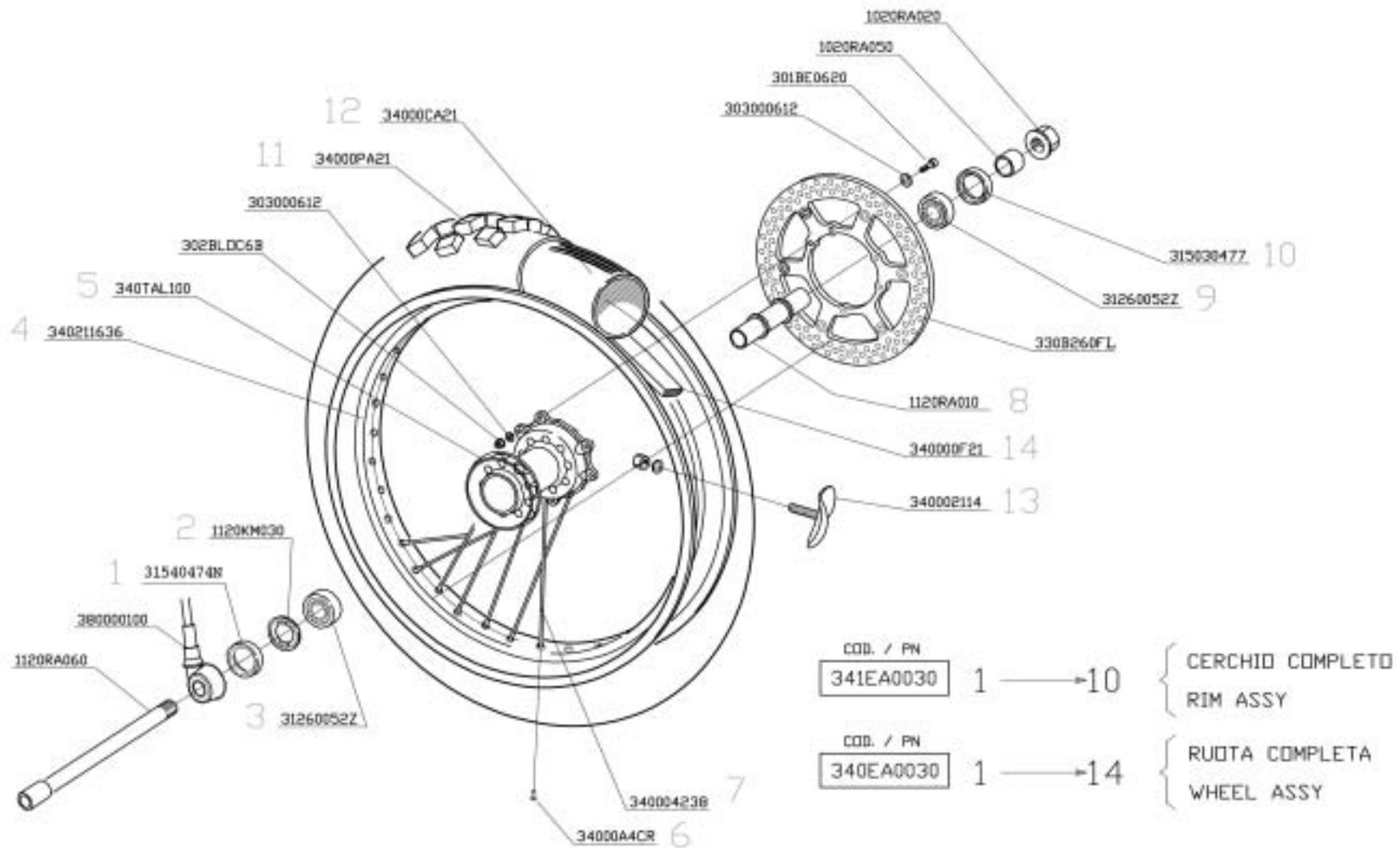
Progr.	Cod.	Quantita	Descrizione	Description	Description	Bezeichnung	Descripción
1	1020RA010	1	DISTANZIALE	SPACER	ENTRETOISE	DISTANZ	DISTANCIADOR
2	1020RA020	1	DADO CH.24	NUT	ECROU	MUTTER	TUERCA
3	1020RA040	1	DISTANZIALE A	SPACER	ENTRETOISE	DISTANZ	DISTANCIADOR
4	1020RA050	1	DISTANZIALE B	SPACER	ENTRETOISE	DISTANZ	DISTANCIADOR
5	1020RA060	1	PERNO RUOTA	PIN	ERGOT	STIFT	PERNO RUEDA
6	301BE0620	6	VITE T.B.E.I. M6x20	SCREW	VIS	SCHRAUBE	TORNILLO
7	302BLOC6B	6	DADO M6	NUT	ECROU	MUTTER	TUERCA
8	303000612	6	RONDELLA Ø6	WASHER	RONDELLE	SCHEIBE	ARANDELA
9	312006005	2	CUSCINETTO	BEARING	PALIER	LAGHER	COJINETE
10	315030477	2	GUARNIZIONE	SEALING	ETANCHEITE	DICHTUNG	GUARNICIÓN
11	330B260FL	1	DISCO FRENO	BRAKE DISK	DISQUE FREIN	BREMSSCHEIBE	DISCO FRENO
12	34000CA21	1	CAMERA	INNER TUBE	CHAMBRE A AIR	SCHLAUCH	CÁMARA
13	340002114	1	FERMACOPERTONE	TYRE LOCK	GRIPSTER	REIFENHALTER	CIERRE DE LA LLANTA
14	340004238	36	RAGGIO	SPOKE	RAYON	SPEICHE	RADIO
15	340211636	1	CERCHIO	RIM	JANTE	VORDERRAD	LLANTA
16	34000A4CR	36	NIPPLO	SPOKENIPLLE	ECROU	NIPPEL	NIPLE
17	340000F21	1	FLAP ANTERIORE	FLAP	BANDE PROTECTION	FELGEN BAND	ALERÓN ANTERIOR
18	34000PA21	1	PNEUMATICO	TYRE	PNEU	REIFEN	NEUMÁTICO
19	340TAL100	1	MOZZO	HIB	MOYEU	RADNABE	CUBO
20	341CA0010	1	CERCHIO COMPLETO	RIM ASSY	JANTE COMPLET	VORDERRAD KOMPLETT	LLANTA COMPLETA
21	340CA0010	1	RUOTA COMPLETA	FRONT WHEEL ASSY	ROUE COMPLETE	RAD KOMPLETT	RUEDA COMPLETA



Progr.	Cod.	Quantita	Descrizione	Description	Description	Bezeichnung	Descripción
1	1020RA010	1	DISTANZIALE	SPACER	ENTRETOISE	DISTANZ	DISTANCIADOR
2	1020RA020	1	DADO CH.24	NUT	ECROU	MUTTER	TUERCA
3	1020RA050	1	DISTANZIALE B	SPACER	ENTRETOISE	DISTANZ	DISTANCIADOR
4	1120KM030	1	RONDELLA RINVIO	WASHER	RONDELLE	SCHEIBE	ARANDELA TRANSMISIÓN
5	1120RA060	1	PERNO RUOTA	PIN	ERGOT	STIFT	PERNO RUEDA
6	301BEF620	6	VITE T.B.E.I. M6x20	SCREW	VIS	SCHRAUBE	TORNILLO
7	302BLOC6B	6	DADO M6	NUT	ECROU	MUTTER	TUERCA
8	303000612	6	RONDELLA Ø6	WASHER	RONDELLE	SCHEIBE	ARANDELA
9	312600527	2	CUSCINETTO	BEARING	ROULEMENT	LAGER	COJINETE
10	31540474N	2	GUARNIZIONE	SEALING	ETANCHEITE	DICHTUNG	GUARNICIÓN
11	33000HR86	1	DISCO FRENO	BRAKE DISK	DISQUE FREIN	BREMSSCHEIBE	DISCO FRENO
12	3400CA17A	1	CAMERA	INNER TUBE	CHAMBRE A AIR	SCHLAUCH	CÁMARA
13	340035178	18	RAGGIO	SPOKE	RAYON	SPEICHE	RADIO
14	310035184	18	RAGGIO	SPOKE	RAYON	SPEICHE	RADIO
15	340003517	1	CERCHIO	RIM	JANTE	VORDERRAD	LLANTA
16	3400A35CR	36	NIPPLO	SPOKENIPPLE	ECROU	NIPPEL	NIPLE
17	340000F17	1	FLAP ANTERIORE	FLAP	BANDE PROTECTION	FELGEN BAND	ALERÓN ANTERIOR
18	34000PA17	1	PNEUMATICO	TYRE	PNEU	REIFEN	NEUMÁTICO
19	340TAL100	1	MOZZO	HUB	MOYEU	RADNABE	CUBO
20	380000130	1	RINVIO CONT. KM	DRIVE UNIT SPEEDOMETER	RENOI POUR COMPTEUR	VORGEIGE FUR DEN KILOMETERZAHLER	TRANSMISIÓN CUENTAKM.
21	341MA0050	1	CERCHIO COMPLETO	RIM ASSY	JANTE COMPLET	VORDERRAD KOMPLETT	LLANTA COMPLETA
22	340MA0050	1	RUOTA COMPLETA	FRONT WHEEL ASSY	ROUE COMPLETE	RAD KOMPLETT	RUEDA COMPLETA



Progr.	Cod.	Quantita	Descrizione	Description	Description	Bezeichnung	Descripción
1	1020RA020	1	DADO CH.24	NUT	ECROU	MUTTER	TUERCA
2	1020RA050	1	DISTANZIALE B	SPACER	ENTRETOISE	DISTANZ	DISTANCIADOR
3	1120KM030	1	RONDELLA RINVIO	WASHER	RONDELLE	SCHEIBE	ARANDELA TRANSMISIÓN
4	1120RA010	1	DISTANZIALE	SPACER	ENTRETOISE	DISTANZ	DISTANCIADOR
5	1120RA060	1	PERNO RUOTA	PIN	ERGOT	STIFT	PERNO RUEDA
6	301BE0620	6	VITE T.B.E.I. M6x20	SCREW	VIS	SCHRAUBE	TORNILLO
7	302BLOC6B	6	DADO M6	NUT	ECROU	MUTTER	TUERCA
8	303000612	6	RONDELLA Ø6	WASHER	RONDELLE	SCHEIBE	ARANDELA
9	312006005	2	CUSCINETTO	BEARING	ROULEMENT	LAGER	COJINETE
10	31540474N		GUARNIZIONE	SEALING	ETANCHEITE	DICHTUNG	GUARNICIÓN
11	330B260FL	1	DISCO FRENO	BRAKE DISK	DISQUE FREIN	BREMSSCHEIBE	DISCO FRENO
12	34000CA21	1	CAMERA	INNER TUBE	CHAMBRE A AIR	SCHLAUCH	CÁMARA
13	340002114	1	FERMACOPERTONE	TYRE LOCK	GRIPSTER	REIFENHALTER	CIERRE DE LA LLANTA
14	340004238	36	RAGGIO	SPOKE	RAYON	SPEICHE	RADIO
15	340211636	1	CERCHIO	RIM	JANTE	VORDERRAD	LLANTA
16	34000A4CR	36	NIPPLO	SPOKENIPLLE	ECROU	NIPPEL	NIPLE
17	340000F21	1	FLAP ANTERIORE	FLAP	BANDE PROTECTION	FELGEN BAND	ALERÓN ANTERIOR
18	34000PA21	1	PNEUMATICO	TYRE	PNEU	REIFEN	NEUMÁTICO
19	340TAL100	1	MOZZO	HIB	MOYEU	RADNABE	CUBO
20	380000100	1	RINVIO CONT. KM	DRIVE UNIT SPEEDOMETER	RENOI POUR COMPTEUR	VORGEIGE FUR DEN KILOMETERZAHLER	TRANSMISIÓN CUENTAKM
21	341EA0030	1	CERCHIO COMPLETO	RIM ASSY	JANTE COMPLET	VORDERRAD KOMPLETT	LLANTA COMPLETA
22	340EA0030	1	RUOTA COMPLETA	FRONT WHEEL ASSY	ROUE COMPLETE	RAD KOMPLETT	RUEDA COMPLETA

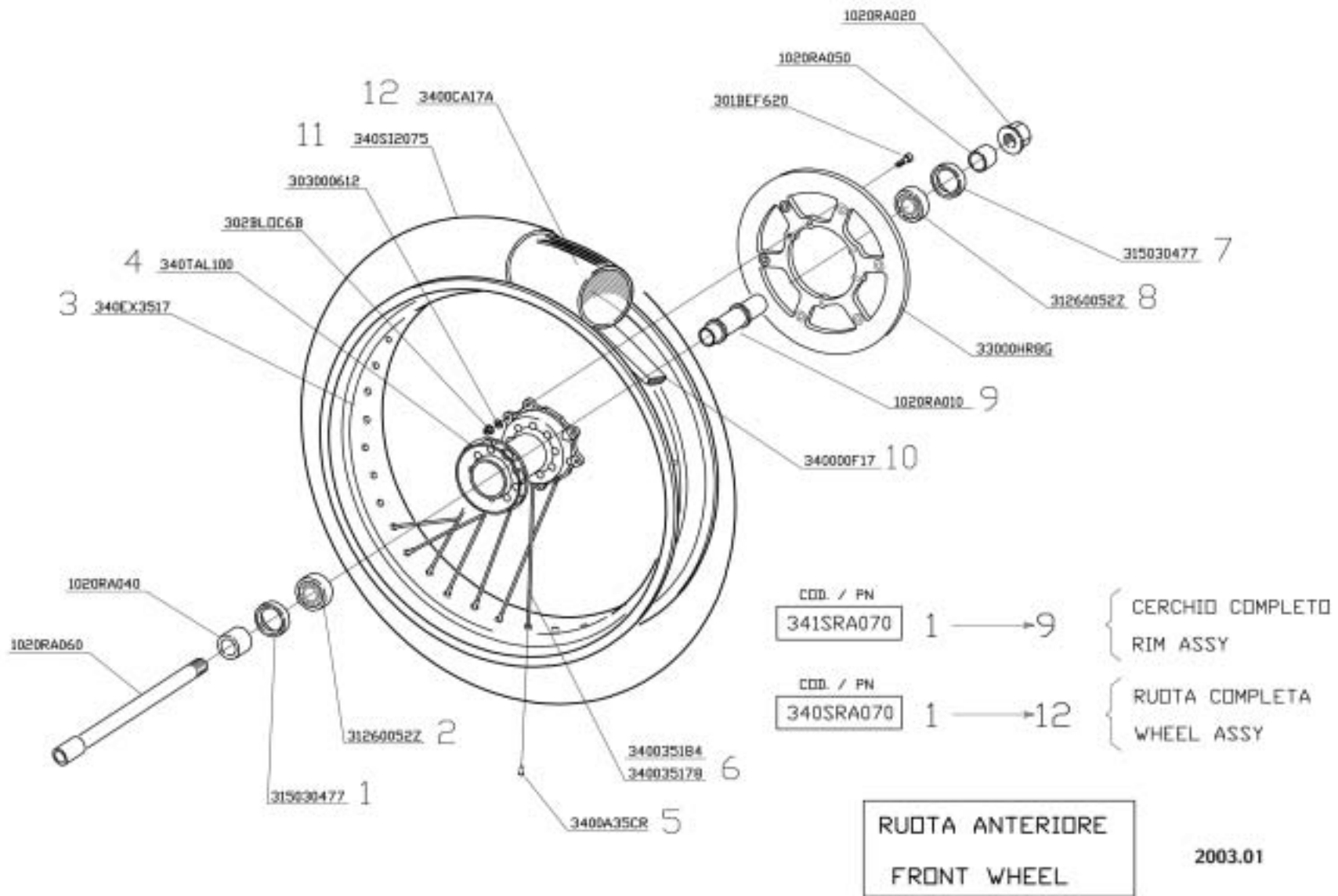


COD. / PN			
341EA0030	1	→	10
			{ CERCHIO COMPLETO
			{ RIM ASSY
COD. / PN			
340EA0030	1	→	14
			{ RUOTA COMPLETA
			{ WHEEL ASSY

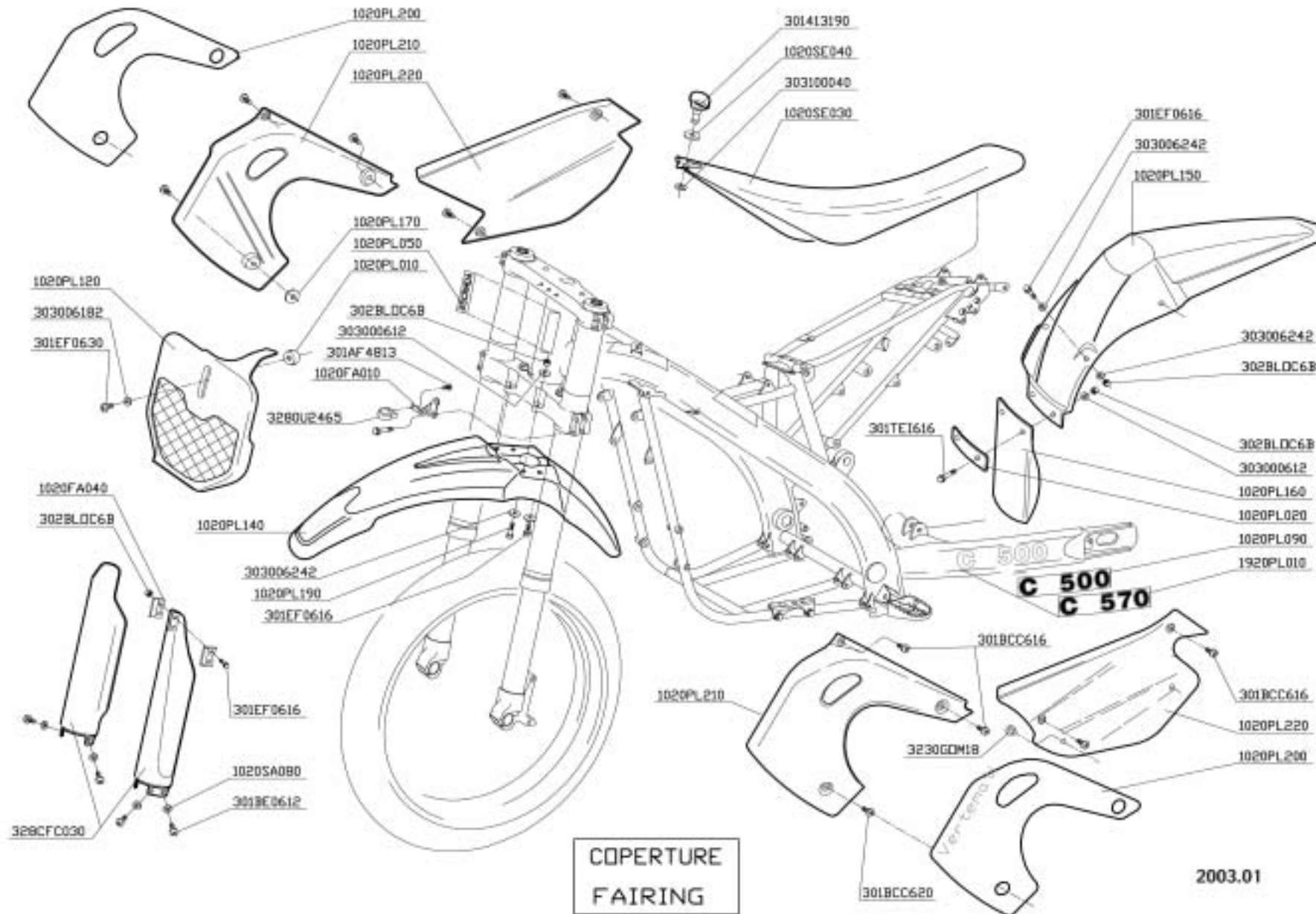
RUOTA ANTERIORE
FRONT WHEEL

2003.01

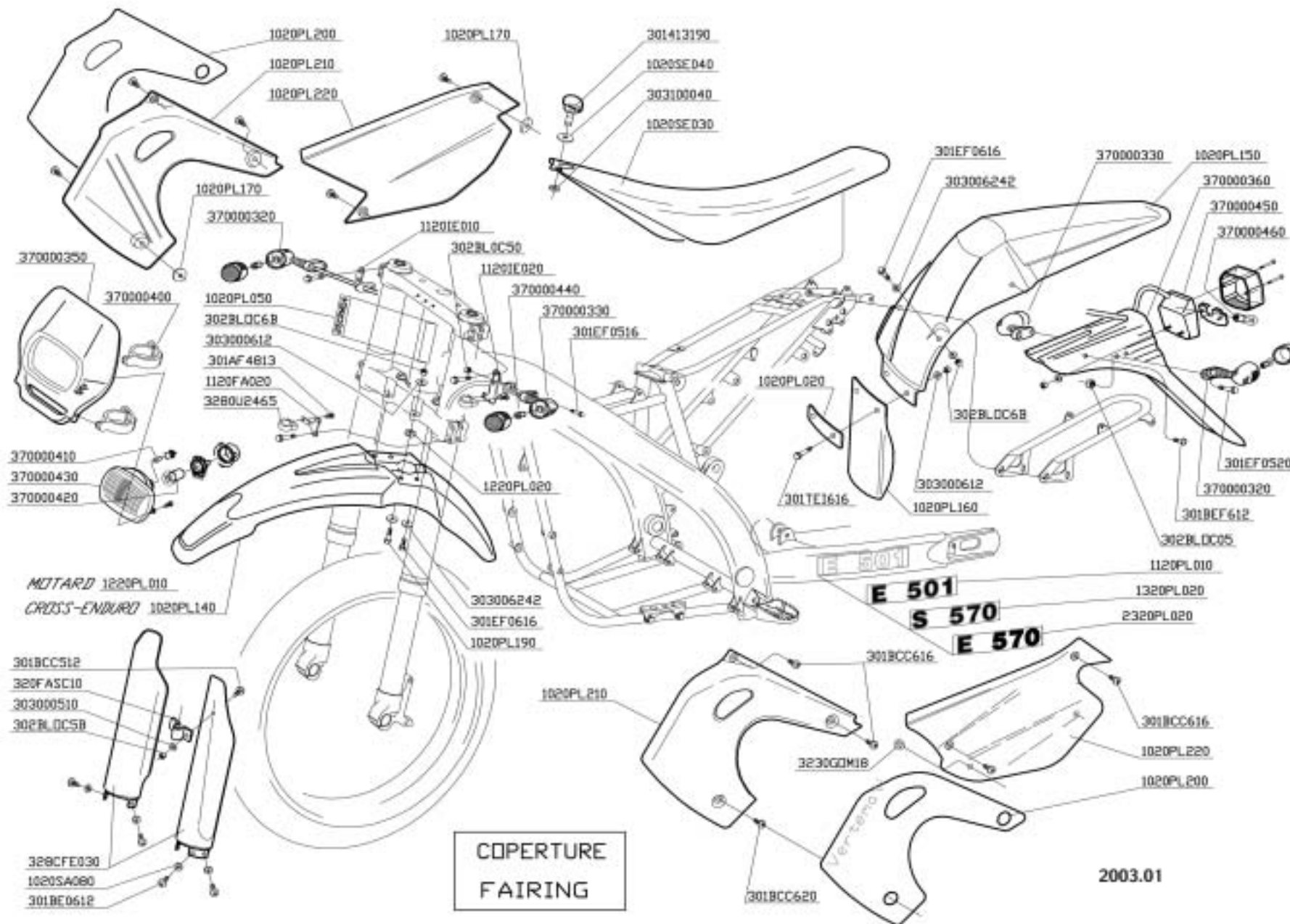
Progr.	Cod.	Quantita	Descrizione	Description	Description	Bezeichnung	Descripción
1	1020RA010	1	DISTANZIALE	SPACER	ENTRETOISE	DISTANZ	DISTANCIADOR
2	1020RA020	1	DADO CH.24	NUT	ECROU	MUTTER	TUERCA
3	1020RA050	1	DISTANZIALE B	SPACER	ENTRETOISE	DISTANZ	DISTANCIADOR
4	1010RA040	1	DISTANZIALE	SPACER	ENTRETOISE	DISTANZ	DISTANCIADOR
5	1120RA060	1	PERNO RUOTA	PIN	ERGOT	STIFT	PERNO RUEDA
6	301BEF620	6	VITE T.B.E.I. M6x20	SCREW	VIS	SCHRAUBE	TORNILLO
7	302BLOC6B	6	DADO M6	NUT	ECROU	MUTTER	TUERCA
8	303000612	6	RONDELLA Ø6	WASHER	RONDELLE	SCHEIBE	ARANDELA
9	312600527	2	CUSCINETTO	BEARING	PALIER	LAGHER	COJINETE
10	315030477	2	GUARNIZIONE	SEALING	ETANCHEITE	DICHTUNG	GUARNICIÓN
11	33000HR86	1	DISCO FRENO	BRAKE DISK	DISQUE FREIN	BREMSSCHEIBE	DISCO FRENO
12	3400CA17A	1	CAMERA	INNER TUBE	CHAMBRE A AIR	SCHLAUCH	CÁMARA
13	340035178	18	RAGGIO	SPOKE	RAYON	SPEICHE	RADIO
14	310035184	18	RAGGIO	SPOKE	RAYON	SPEICHE	RADIO
15	340EX3517	1	CERCHIO	RIM	JANTE	VORDERRAD	LLANTA
16	3400A35CR	36	NIPPOLO	SPOKENIPPLE	ECROU	NIPPEL	NIPLE
17	340000F17	1	FLAP ANTERIORE	FLAP	BANDE PROT	FELGEN BAND	ALERÓN ANTERIOR
18	340512075	1	PNEUMATICO	TYRE	PNEU	REIFEN	NEUMÁTICO
19	340TAL100	1	MOZZO	HUB	MOYEU	RADNABE	CUBO
21	341SRA070	1	CERCHIO COMPLETO	RIM ASSY	JANTE COMPLET	VORDERRAD KOMPLETT	LLANTA COMPLETA
22	340SRA070	1	RUOTA COMPLETA	FRONT WHEEL ASSY	ROUE COMPLETE	RAD KOMPLETT	RUEDA COMPLETA



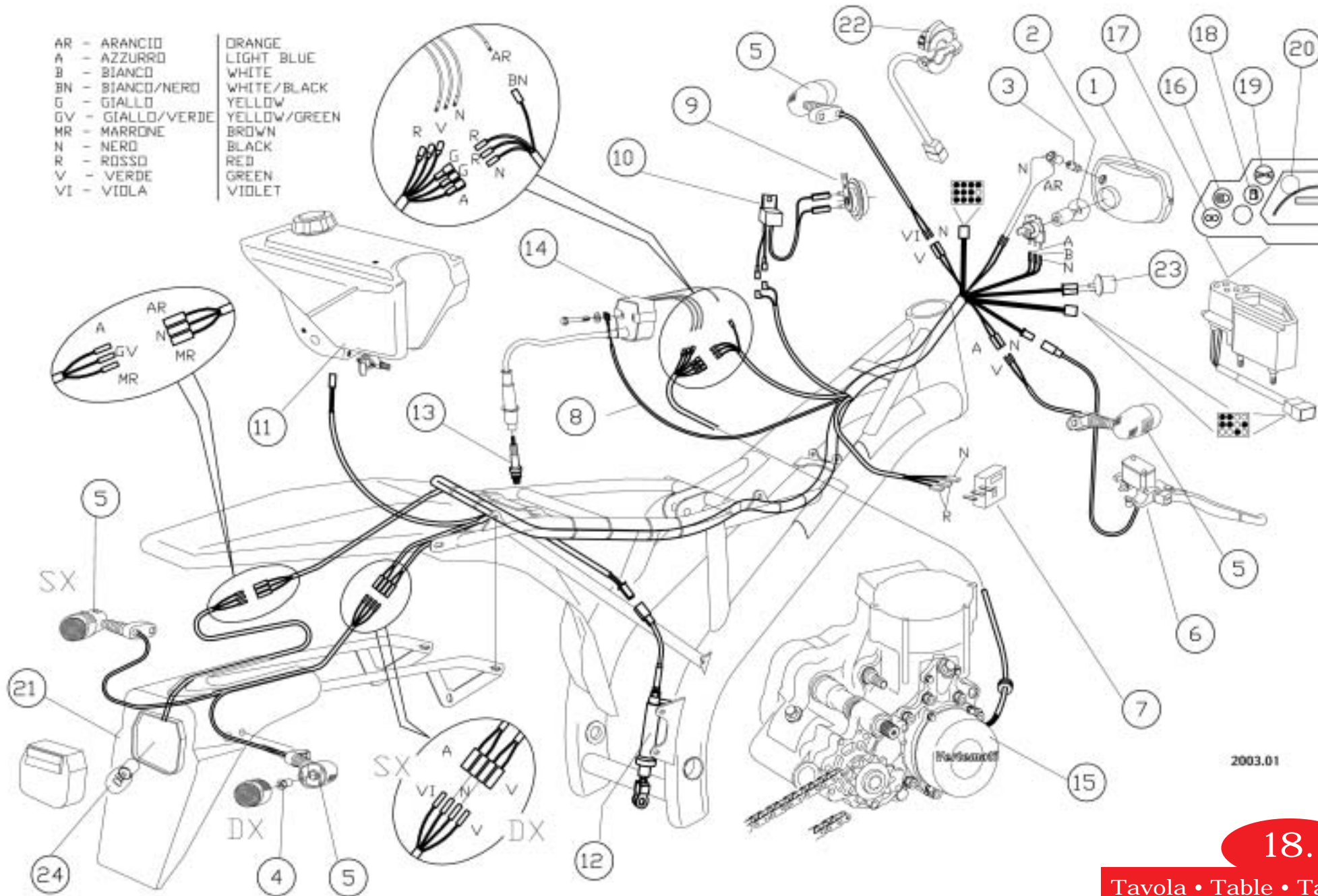
Progr.	Cod.	Quantita	Descrizione	Description	Description	Bezeichnung	Descripción
1	1020FA010	1	PIASTRINA	PLATE	PLAQUETTE	PLATTCHEN	PLAQUITA
2	1020FA040	1	PIASTRINA	PLATE	PLAQUETTE	PLATTCHEN	PLAQUITA
3	1020PL010	1	DISTANZIALE	SPACER	ENTRETOISE	DISTANZ	DISTANCIADOR
4	1020PL020	1	PIASTRINA	PLATE	PLAQUETTE	PLATTCHEN	PLAQUITA
5	1020PL050	1	ADESIVO 25CrMo 4	TRANSFER 25CrMo4	DECALCOMANIE	ABZIEHBILDER	ADHESIVO 25CrMo 4
6	1020PL090	2	ADESIVO C500	TRANSFER C500	DECALCOMANIE	ABZIEHBILDER	ADHESIVO C500
7	1020PL120	1	PORTANUMERO	NUMBER SUPPORT	PLAQUE PORTE NUMERO	NUMMERPLATE	SITIO PARA EL NUMERO
8	1020PL140	1	PARAFANGO ANT.	FRONT MUDGUARD	GARDE BOUE AVANT	VORD KOTFLUEGEL	GUARDABARRAS ANTERIOR
9	1020PL150	1	PARAFANGO POST.	REAR MUDGUARD	GARDE BOUE ARR.	HINT KOTFLUEGEL	GUARDABARRAS POSTERIO
10	1020PL160	1	PATTELLA	SPLASH GUARD	BAVETTE	SPRITZSCHUTZ	TAPA
11	1020PL170	6	RONDELLA	WASHER	RONDELLE	SCHEIBE	ARANDELA
12	1020PL190	2	VITE	SCREW	VIS	SCHRAUBE	TORNILLO
13	1020PL200	1	COPPIA ADESIVI CONVOGLIATORE	TRANSFERS	DECALCOMANIE	ABZIEHBILDER	PAR DE ADHESIVOS CONDUCTOR
14	1020PL210	1	COPPIA CONVOGLIATORI	COMVEYORS 2 OFF	CONVOYEUR 2 PCS	LUFTHAUBE (2 ST)	PAR DE CONDUCTORES
15	1020PL220	1	COPPIA FIANCATINE	SIDE PANEL 2 OFF	PANNEAU LATERAL 2 PCS	SEITEN DEKOR (2 ST)	PAR DE PANELES LATERALES
16	1020SA080	6	RONDELLA	WASHER	RONDELLE	SCHEIBE	ARANDELA
17	1020SE030	1	SELLA COMPLETA	SADDLE	SELLE	SATTEL KOMP.	SILLIN COMPLETO
18	1020SE040	1	RONDELLA	WASHER	RONDELLE	SCHEIBE	ARANDELA
19	1920PL010	2	ADESIVO C570	TRANSFER C570	DECALCOMANIE	ABZIEHBILDER	ADHESIVO C570
20	301413190	1	PERNO	PIN	PIVOT	BOLZEN	PERNO
21	301AF4813	1	VITE AUT. T.C. 4,8x13	SCREW	VIS	SCHRAUBE	TORNILLO
22	301BCC616	7	VITE Tbl M6x16	SCREW	VIS	SCHRAUBE	TORNILLO
23	301BCC620	2	VITE Tbl M6x20	SCREW	VIS	SCHRAUBE	TORNILLO
24	301BE0612	3	VITE T.B.E.I. M6x12	SCREW	VIS	SCHRAUBE	TORNILLO
25	301EF0616	2	VITE T.E.F. M6x16	SCREW	VIS	SCHRAUBE	TORNILLO
26	301EF0620	4	VITE T.E.F. M6x20	SCREW	VIS	SCHRAUBE	TORNILLO
27	301EF0630	3	VITE T.E.F. M6x30	SCREW	VIS	SCHRAUBE	TORNILLO
28	301TEI616	2	VITE T.E.I. M6x16	SCREW	VIS	SCHRAUBE	TORNILLO
29	302BLOC06	4	DADO M6	NUT	ECROU	MUTTER	TUERCA
30	302BLOC6B	8	DADO M6	NUT	ECROU	MUTTER	TUERCA
31	303000612	2	RONDELLA	WASHER	RONDELLE	SCHEIBE	ARANDELA
32	303006242	4	RONDELLA	WASHER	RONDELLE	SCHEIBE	ARANDELA
33	303006182	7	RONDELLA	WASHER	RONDELLE	SCHEIBE	ARANDELA
34	303100040	1	RONDELLA	WASHER	RONDELLE	SCHEIBE	ARANDELA
35	32360M18	1	GOMMINO	RUBBER RING	CAOUTCHOUC	GUMMI	GOMITA
36	3280U2465	1	GUIDATUBO	PIPE GUIDE	GUIDE TUBE	ROHR FUHRUNG	GUÍA TUBO
37	328CFC030	1	COPRISTELO COPPIA	WASHER	RONDELLE	SCHEIBE	PAR DE CUBRE BARRAS



Progr.	Cod.	Quantita	Descrizione	Description	Description	Bezeichnung	Descripción
1	1020FA010	1	PIASTRINA	PLATE	PLAQUETTE	PLATTCHEN	PLAQUITA
2	1020FA040	1	PIASTRINA	PLATE	PLAQUETTE	PLATTCHEN	PLAQUITA
3	1020PL010	1	DISTANZIALE	SPACER	ENTRETOISE	DISTANZ	DISTANCIADOR
4	1020PL020	1	PIASTRINA	PLATE	PLAQUETTE	PLATTCHEN	PLAQUITA
5	1020PL050	1	ADESIVO 25CrMo 4	TRANSFER 25CrMo4	DECALCOMANIE	ABZIEHBILDER	ADHESIVO 25CrMo 4
6	1020PL120	1	PORTANUMERO	NUMBER SUPPORT	PLAQUE PORTE NUMERO	NUMMERPLATTE	SITIO PARA EL NUMERO
7	1020PL140	1	PARAFANGO ANT.	FRONT MUDGUARD	GARDE BOUE AVANT	VORD KOTFLUEGEL	GUARDABARROS ANTERIOR
8	1020PL150	1	PARAFANGO POST.	REAR MUDGUARD	GARDE BOUE ART	HINT KOTFLUEGEL	GUARDABARROS POSTERIOR
9	1020PL160	1	PATTELLA	SPLASH GUARD	PLAQUE	SPRITZSCHUTZ	TAPA
10	1020PL170	6	RONDELLA	WASHER	RONDELLE	SCHIBE	ARANDELA
11	1020PL190	2	VITE	SCREW	VIS	SCHRAUBE	TORNILLO
12	1020PL200	1	COPPIA ADESIVI CONVOGLIATORE	TRANSFERS	DECALCOMANIE	ABZIEHBILDER	PAR DE ADHESIVOS CONDUCTOR
13	1020PL210	1	COPPIA CONVOGLIATORI	COMVEYORS 2 OFF	CONVOYEUR (2 PCS)	LUFTHAUBE (2 ST)	PAR DE CONDUCTORES
14	1020PL220	1	COPPIA FIANCATINE	SIDE PANEL 2 OFF	PANNEAU LATERAL (2 PCS)	SEITEN DEKOR (2 ST)	PAR DE PANELES LATERALES
15	1020SA080	6	RONDELLA	WASHER	RONDELLE	SCHIBE	ARANDELA
16	1020SE030	1	SELLA COMPLETA	SADDLE	SELLE	SATTEL KOMPLETT	SILLIN COMPLETO
17	1020SE040	1	RONDELLA	WASHER	RONDELLE	SCHIBE	ARANDELA
18	1120FA020	1	PIASTRINA	PLATE	PLAQUETTE	PLATTCHEN	PLAQUITA
19	1120IE010	1	PIASTRINA	PLATE	PLAQUETTE	PLATTCHEN	PLAQUITA
20	1120IE020	1	PIASTRINA	PLATE	PLAQUETTE	PLATTCHEN	PLAQUITA
21	1120PL010	2	ADESIVO C501	TRANSFER C501	DECALCOMANIE	ABZIEHBILDER	ADHESIVO C501
22	1220PL020	2	DISTANZIALE	SPACER	ENTRETOISE	DISTANZ	DISTANCIADOR
23	1320PL020	2	ADESIVO S570	TRANSFER S570	DECALCOMANIE	ABZIEHBILDER	ADHESIVO S570
24	2320PL020	2	ADESIVO E570	TRANSFER E570	DECALCOMANIE	ABZIEHBILDER	ADHESIVO E570
25	301413190	1	PERNO	PIN	PIVOT	BOLZEN	PERNO
26	301AF4813	1	VITE AUT. T.C. 4,8x13	SCREW	VIS	SCHRAUBE	TORNILLO
27	301BCC512	1	VITE T.B.C.C. M5x12	SCREW	VIS	SCHRAUBE	TORNILLO
28	301BCC616	7	VITE Tbl M6x16	SCREW	VIS	SCHRAUBE	TORNILLO
29	301BCC620	2	VITE Tbl M6x20	SCREW	VIS	SCHRAUBE	TORNILLO
30	301BE0612	6	VITE T.B.E.I. M6x12	SCREW	VIS	SCHRAUBE	TORNILLO
31	301BEF612	2	VITE T.B.E.F. M6x12	SCREW	VIS	SCHRAUBE	TORNILLO
32	301EF0520	2	VITE T.E.F. M5x20	SCREW	VIS	SCHRAUBE	TORNILLO
33	301EF0516	2	VITE T.E.F. M5x16	SCREW	VIS	SCHRAUBE	TORNILLO
34	301EF0616	2	VITE T.E.F. M6x16	SCREW	VIS	SCHRAUBE	TORNILLO
35	301EF0620	4	VITE T.E.F. M6x20	SCREW	VIS	SCHRAUBE	TORNILLO
36	301EF0630	3	VITE T.E.F. M6x30	SCREW	VIS	SCHRAUBE	TORNILLO
37	301TE1616	2	VITE T.E.I. M6x16	SCREW	VIS	SCHRAUBE	TORNILLO
38	302BLOC05	2	DADO M5	NUT	ECROU	MUTTER	TUERCA
39	302BLOC5B	1	DADO M5	NUT	ECROU	MUTTER	TUERCA
40	302BLOC50	2	DADO M5	NUT	ECROU	MUTTER	TUERCA
41	302BLOC06	4	DADO M6	NUT	ECROU	MUTTER	TUERCA
42	302BLOC6B	8	DADO M6	NUT	ECROU	MUTTER	TUERCA
43	303000510	1	RONDELLA	WASHER	RONDELLE	SCHIBE	ARANDELA
44	303000612	2	RONDELLA	WASHER	RONDELLE	SCHIBE	ARANDELA
45	303006242	4	RONDELLA	WASHER	RONDELLE	SCHIBE	ARANDELA
46	303006182	7	RONDELLA	WASHER	RONDELLE	SCHIBE	ARANDELA
47	303100040	1	RONDELLA	WASHER	RONDELLE	SCHIBE	ARANDELA
48	320FASC10	1	FASCETTA	CLAMP	COLLIER	SHELLE	ABRAZADERA
49	323060M18	1	GOMMINO	RUBBER RING	CAOUTCHOUC	GUMMI	GOMITA
50	3280U2465	1	GUIDATUBO	PIPE GUIDE	ROHR FUHRUNG	GUIDE TUBE	GUÍA TUBO
51	328CF030	1	COPRISTELO COPPIA	WASHER	RONDELLE	SCHIBE	PAR DE CUBRE BARRAS
52	370000400	4	FASCE GOMMA	RUBBER CLAMPS	COLLIERS	ELASTICH	AROS DEL PISTÓ
53	370000410	1	LAMP. POSIZ.	BULB	LAMPE	LAMPE	LÁMPARAS LUZ DE POSICIÓN
54	370000420	1	LAMP. BILUCE	BULB	LAMPE	LAMPE	LÁMPARAS DE DOS LUCES
55	370000430	1	FANALE	HEADLIGHT ASSY	PHARE AVANT COMPL.	VORD SCHEINWERFER-GRUPPE	FARO
56	370000440	4	LAMP. FRECCIA	BULB	LAMPE	LAMPE	LÁMPARAS LUZ INTERMITENTES
57	370000450	1	CATARIFRANGENTE	REFLECTOR	CATADIOPTRÉ	GERILLTE REFLEKTIONS-SCHIBE	REFLECTORES
58	370000460	1	LAMP. BILUCE	BULB	LAMPE	LAMPE	LÁMPARAS DE DOS LUCES
59	370000320	2	IND. DIR. DX	RIGHT TURN SIGNAL LAMP	INDICATEUR DE DIRECTION DROIT	WINKER (RECHTS)	INTERMITENTE DERECHO
60	370000330	2	IND. DIR. SX	LEFT TURN SIGNAL LAMP	INDICATEUR DE DIRECTION GAUCHE	WINKER (LINKS)	INTERMITENTE IZQUIERDO
61	370000350	1	PORTAFARO	LIGHT FAIRING	CARENAGE PHARE	SCHWEINWERFER-MASKE	PORTA-FARO
62	370000360		PORTATARGA	PLATE HOLDER	PORTE PLAQUE	KENNZEICHENHALTER VOLLST	PORTA-MATRICULA



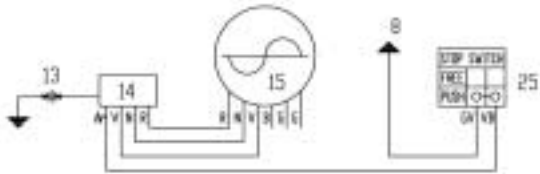
Prog.	Cod.	Quant.	Descrizione	Description	Description	Bezeichnung	Descripción
1	370000430	1	FARO ANTERIORE	HEADLIGHT ASSY	FEU AVANT	VORDERER SCHEINWERFER	FARO ANTERIOR
2	370000420	1	LAMPADA BILUCE 12V-35/35W	12V 35/35W DOUBLE FILAMENT BULB	LAMPE A 2 FILAMENTS 12V 35/35W	ZWEIFADENLAMPE12V-35/35W	LÁMPARA DE DOS LUCES 12V 35/35W
3	370000410	1	LAMPADA 12V 4W	12V 4W BULB	LAMPE 12V 4W	LAMPE 12V 4W	LÁMPARA 12V 4W
4		1	LAMPADA 12V 10W	12V 10W BULB	LAMPE 12V 10W	LAMPE 12V 10W	LAMPARA 12V 10W
5	370000320	1	INDICATORI DI DIREZIONE	FLASHER	CLIGNOTANTS	WINKER	INTERMITENTES
6	330000200	1	INTERRUTTORE STOP ANTERIORE	FORNT BRAKE LIGTH SWITCH	INTERRUPTEUR FEU ARRET AVANT	VORDERER STOPSCHALTER	INTERRUPTOR LUZ PARADA ANTERIOR
7	370000390	1	REGOLATORE DI TENSIONE	REGULATOR	REGULATEUR TENSION	SCHALTER SPANNUNGSREGLER	REGULADOR DE TENSIÓN
8		1	MASSA TELAIO	CHASSIS	MASSE A CHASSIS	RAHMENERDUNG	PUESTA A TIERRA CHASIS
9	370000340	1	AVVISATORE ACUSTICO	HORN	AVERTISSEUR ACOUSTIQUE	SIGNALHORN	CLAXON
10	370000380	1	RETTIFICATORE FILTRO	RECTIFIER	RECTIFIEUR FILTRE	FILTER-REKTIFIKATOR	RECTIFICADOR FILTRO
11	1020SB070	1	LIVELLO RISERVA SERBATOIO	FUEL TANK SWITCH	NIVEAU ELECTRIQUE RESERVOIR	RESERVESTAND BEHÄLTER	NIVEL RESERVA DEPÓSITO
12	330555620	1	INTERR. STOP POSTERIORE	REAR BRAKE LIGTH SWITCH	INTERRUPTEUR FEU ARRET ARRIERE	HINTERER STOPSCHALTER	INTERRUPTOR PARADA POSTERIOR
13	370000110	1	CANDELA D'ACCENSIONE	SPARK PLUG	BOUGIE	ZÜNDKERZE	BUJÍA DE ENCENDIDO
14	370000130	1	CENTRALINA A.T. VOLANO	FLYWELL CONTROL UNIT	UNITE COMMANDE VOLANT	STEUERUNG SCHWUNGRAD	UNIDAD CONTROL VOLANTE
15	370000120	1	VOLANO ELETTRONICO 12V 00W	12V 00W ELECTRONIC FLYWELL	VOLANT ELECTRONIQUE	ELEKTRONISCHES SCHWUNGSRAD	VOLANTE ELECTRÓNICO
16	370000600	1	LAMP. SPIA ABBAGL. 12V 1.2W	12V 1,2W BEAM INDICATOR LAMP	TEMOIN DE FEU DE ROUTE 12V 1.2W	KONTROLLAMPE FERNLICHT	LÁMPARA CHIVATO LUCES DE CRUCE
17	370000600	1	LAMP. IND. DIREZIONE 12V 1,2W	12V 1,2W FLASHER IND. LAMP	TEMOIN DE CLIGNOTANT 12V 1.2W	KONTROLLEUCHE WINKER 12V 1.2 W	LÁMPARA CHIVATO INTERMITENTES
18	370000600	1	LAMP. RISERVA SERB. 12V 1,2 W	12V 1,2W LOW FUEL IND. LAMP	TEMOIN DE RAVITAILLEMENT RES. 12V 1.2W	KONTROLLEUCHE RESERV. BEHÄLTER 12V 1.2 W	LÁMPARA CHIVATO RESERVA DEPÓSITO
19	370000600	1	LAMP. LUCI POSIZIONE 12V 1.2W	12V 1.2W TAIL LIGHT INDICATOR LIGHT	TEMOIN DE FEUX DE POSITION 12V 1.2W	KONTROLLEUCHE POSITIONSLAMPEN 12 V 1.2 W	LÁMPARA CHIVATO LUCES POSICIÓN
20	370000600	1	LAMP. ILL. STRUMENTAZIONE 12V 2W	12V 2W INSTRUMENT LIGHTING BULB	LAMPE TABLEAU DE BORD 12V 1.2W	LEUCHE INSTRUMENTENBRETT 12 V 1.2 W	LÁMPARA ILUMINACIÓN SALPICADERO
21	370000360	1	FARO POSTERIORE	TAIL LIGHT	FEU ARRIERE	RÜCKLEUCHE	FARO POSTERIOR
22	1120IE040	1	DISPOSITIVO COMANDI SINISTRO	LEFT REMOTE CONTROL DEVICE	COMMANDE FEUX (GAUCHE)	VORRICHTUNG LINKE STEUERUNGEN	DISP. CONTROL REMOTO PARTE IZQUIERDA
23	370000370	1	INTERMITTENZA LAMPEGGIATORI	FLASHER UNIT	INTERMITTENCE CLIGNOTEURS	BLINKLICHTER	INTERMITENCIA LUCES DE EMERGENCIA
24	370000460	1	LAMPADA BILUCE 12V-21/5W	12V 21/5W DOUBLE FILAMENT BULB	LAMPE A 2 FILAMENTS 12V-21/5W	ZWEIFADENLAMPE 12V-21/5W	LÁMPARA DE DOS LUCES 12V 21/5W
25	370000140	1	INTERRUTTOE ARRESTO MOTORE	STOP SWITCH	INTERRUPTEUR ARRET MOTEUR	MOTORAUSSCHALTER	INTERRUPTOR PARADA MOTOR



2003.01

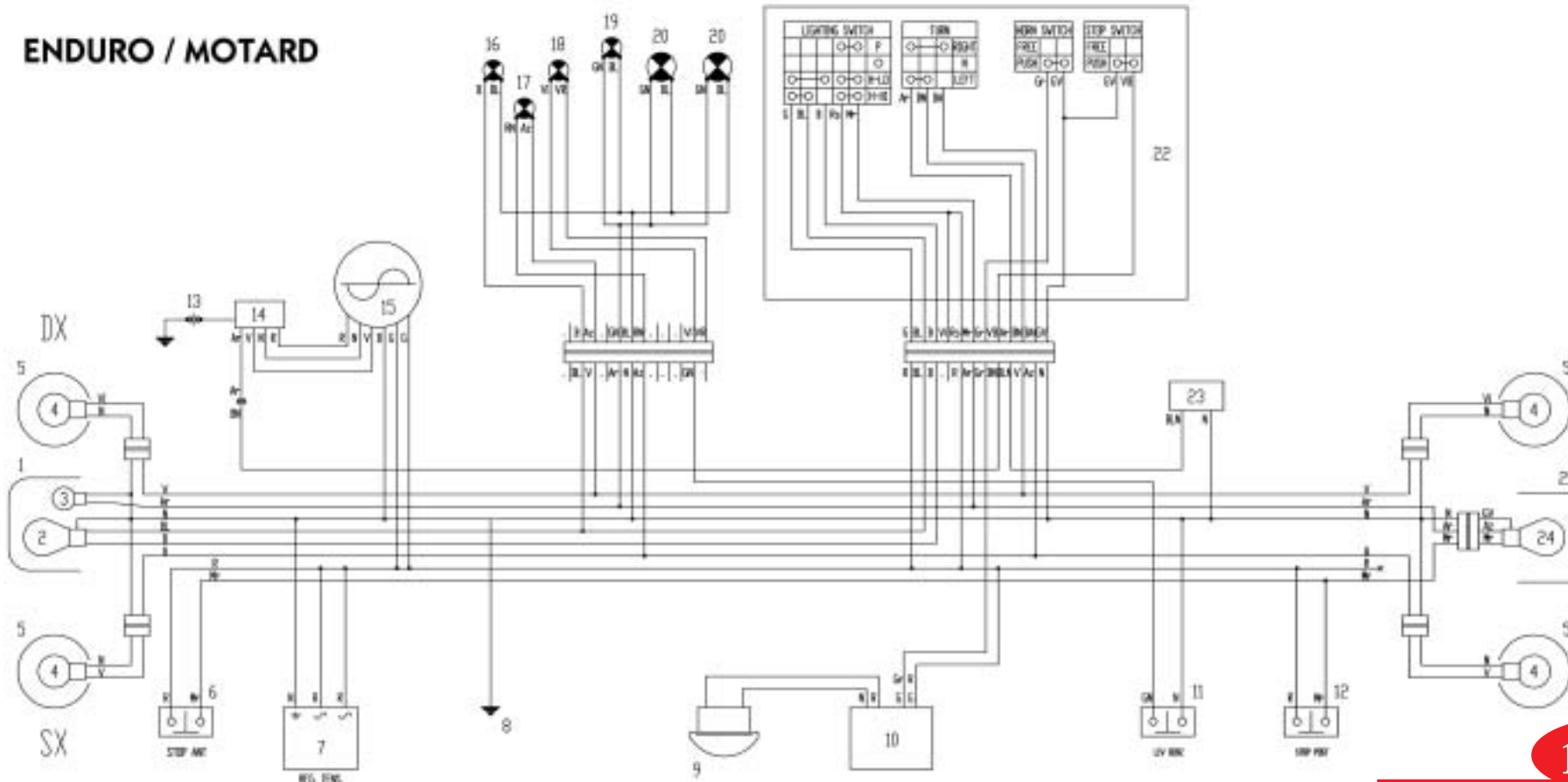
Sigla	COLORE CAVI	WIRE COLOURS	COULEUR CABLES	KABELFARBEN	COLOR CABLES
Ar	ARANCIO	ORANGE	ORANGE	ORANGE	NARANJADO
A	AZZURRO	BLUE	BLEU CLAIR	BLAU	AZUL CLARO
B	BIANCO	WHITE	BLANC	WEISS	BLANCO
BN	BIANCO/NERO	WHITE/BLACK	BLANC/NOIR	WEISS/SCHWARZ	BLANCO/NEGRO
BA	BIANCO/ARANCIO	WHITE/ORANGE	BLANC/ORANGE	WEISS/ORANGE	BLANCO/NARANJADO
BL	BLU	DEEP BLUE	BLEU	TIEFBLAU	AZUL OSCURO
BLN	BLU/NERO	DEEP BLUE /BLACK	BLEU/NOIR	TIEFBLAU /SCHWARZ	AZUL OSCURO/ NEGRO
G	GIALLO	YELLOW	JAUNE	GELB	AMARILLO
GN	GIALLO/NERO	YELLOW/BLACK	JAUNE/NOIR	GELB/SCHWARZ	AMARILLO/NEGRO
GV	GIALLO/VERDE	YELLOW/GREEN	JAUNE/VERT	GELB/GRUN	AMARILLO/VERDE
Gr	GRIGIO	GRAY	GRIS	GRAU	GRIS
Mr	MARRONE	BROWN	MARRON	BRAUN	MARRON
N	NERO	BLACK	NOIR	SCHWARZ	NEGRO
R	ROSSO	RED	ROUGE	ROT	ROJO
Rs	ROSA	PINK	ROSE	ROSA	ROSADO
V	VERDE	GREEN	VERT	GRUN	VERDE
VB	VERDE/BLU	GREEN/ DEEP BLUE	VERT/ BLEU	GRUN/TIEFBLAU	VERDE/AZUL OSCURO
VN	VERDE/NERO	GREEN/BLACK	VERT/NOIR	GRUN/SCHWARZ	VERDE/NEGRO
VI	VIOLA	VIOLET	VIOLET	VIOLET	VIOLETA

CROSS



Sigla	COLORE CAVI	WIRE COLOURS	COULEUR CABLES	KABELFARBEN	COLOR CABLES
Ar	ARANCIO	ORANGE	ORANGE	NARANJADO	ORANGE
A	AZZURRO	BLUE	BLEU CLAIR	BLAU	AZUL CLARO
B	BIANCO	WHITE	BLANC	WEISS	BLANCO
BN	BIANCO/NERO	WHITE/BLACK	BLANC/NOIR	WEISS/SCHWARZ	BLANCO/NEGRO
BA	BIANCO/ARANCIO	WHITE/ORANGE	BLANC/ORANGE	WEISS/ORANGE	BLANCO/NARANJADO
BL	BLU	DEEP BLUE	BLEU	TIEFBLAU	AZUL OSCURO
BLN	BLU/NERO	DEEP BLUE /BLACK	BLEU/NOIR	TIEFBLAU /SCHWARZ	AZUL OSCURO/ NEGRO
G	GIALLO	YELLOW	JAUNE	GELB	AMARILLO
GN	GIALLO/NERO	YELLOW/BLACK	JAUNE/NOIR	GELB/SCHWARZ	AMARILLO/NEGRO
GV	GIALLO/VERDE	YELLOW/GREEN	JAUNE/VERT	GELB/GRUN	AMARILLO/VERDE
Gr	GRIGIO	GRAY	GRIS	GRAU	GRIS
Mr	MARRONE	BROWN	MARRON	BRAUN	MARRON
N	NERO	BLACK	NOIR	SCHWARZ	NEGRO
R	ROSSO	RED	ROUGE	ROT	ROJO
Rs	ROSA	PINK	ROSE	ROSA	ROSADO
V	VERDE	GREEN	VERT	GRUN	VERDE
VB	VERDE/BLU	GREEN/ DEEP BLUE	VERT/ BLEU	GRUN/TIEFBLAU	VERDE/AZUL OSCURO
VN	VERDE/NERO	GREEN/BLACK	VERT/NOIR	GRUN/SCHWARZ	VERDE/NEGRO
VI	VIOLA	VIOLET	VIOLET	VIOLET	VIOLETA

ENDURO / MOTARD



18.01

Vertemati

20050 Triuggio (MI) - Via Brovada, 4 - Tel. +39 0362 972048 - +39 0362 997780 - Fax +39 0362 997611
info@vertematimoto.it www:vertemati.info